



Filter Cartridges

Melt-Blown Filter Cartridges.....	5~6
Industrial Melt Blown Filter Cartridges.....	7~8
Absolute Rate Melt Blown Filter Cartridges.....	9~10
String Wound Filter Cartridges.....	11~12
GDP-PP Fiber Filter Cartridges.....	13~14
GDS-Polyethersulfone Membrane Pleated Filter Cartridges.....	15~16
GDN-Nylon Membrane Pleated Filter Cartridges.....	17~18
GDF-Hydrophobic PTFE Membrane Pleated Filter Cartridges.....	19~20
GDH-Hydrophilic PTFE Membrane Pleated Filter Cartridges.....	21~22
GDT-All Fluoropolymer Membrane Pleated Filter Cartridges.....	23~24
GDV-PVDF Membrane Pleated Filter Cartridges.....	25~26
GDB-High Flow Rate TFT-LCD Wet Process Filter Cartridges.....	27~28
7G-High Flow TFT-LCD Rate Wet Process Filter Cartridges.....	29~30
Capsule Filters.....	31~32
High Flow Rate Pleated Filter Cartridges.....	33~34
M7000 High Flow Pleated Filter Cartridges.....	35~36
Bag Type High Flow Filter Cartridges.....	37~38
Big Pleated High Flow Filter Cartridges.....	39~40
Fine Chemical Filter Cartridges.....	41
CPC -Carbon Impregnated Cellulose Filter Cartridges.....	42
CWC -Granular Carbon PP String Wound Filter Cartridges.....	43
CCT -Activated Carbon Filter Cartridges.....	44
Big Filter Cartridges.....	45~46
Backwashable Pleated Polypropylene Microfibers Filter Cartridges.....	47~48
Netclean Pleated Filter Cartridges.....	49~50
Extensfiber String Wound Filter Cartridges.....	51~52
Stainless Steel Filter Cartridges.....	53
Sintered Metal Filter Cartridges.....	54
Liquid Filter Bags and Special Filter Bags.....	55~56

Air Filters

Compressed Air Filter Elements.....	57
Compatible Replacements of SMC.....	57
Compatible Replacements of Ultrafilter(Donaldson).....	58
Compatible Replacements of Zander(Parker).....	58
Compatible Replacements of Domnick Hunter(Parker).....	59
Compatible Replacements of Hiross(Parker).....	59
Compatible Replacements of Parker Finite.....	60
Compatible Replacements of BEA.....	60
Compatible Replacements of Hankison.....	61
Air Filter.....	62

Filter Housings

Stainless Steel Single Cartridge Clamp Filter Housings.....	63~64
Stainless Steel Single Cartridge Filter Housings.....	65~66
Stainless Steel Cartridge Filter Housings.....	67~68
Stainless Steel High Pressure Cartridge Filter Housings.....	69~70
Stainless Steel High Flow Multi-cartridges Filter Housings.....	71~72
Stainless Steel Bag Filter Housings.....	73~74
Stainless Steel High Pressure Bag Filter Housings.....	75~76
Stainless Steel Top-loading Bag Filter Housings.....	77~78
Stainless Steel High Flow Multi-bags Filter Housings.....	79~80
Stainless Steel Sanitary Single Cartridge Filter Housings.....	81~82
Stainless Steel Sanitary Cartridge Filter Housings.....	83~84
Stainless Steel Sanitary Multi-cartridges Filter Housings.....	85~86
Plastic Slim Filter Housings.....	87~88
Plastic Standard Filter Housings.....	89~90
Plastic Big Filter Housings.....	91~92
UPVC Filter Cartridge Housings.....	93~94
UPVC High Pressure Cartridge Filter Housings.....	95~96
UPVC High Pressure Multi-cartridges Filter Housings.....	97~98
UPVC Bag Filter Housings.....	99~100
UPVC High Pressure Bag Filter Housings.....	101~102
Ultraviolet Sterilizing Systems.....	103
FRP Softener Vessels.....	104~106
Stainless Steel RO Membrane Housings.....	107~109
FRP RO Membrane Vessels.....	110

Taiwan Grace International Corp. is a Taiwan based company serving Industrial Liquid Process Filtration around the globe. Established in 2000, Grace manufactures a wide scope of filtration products and services for TFT-LCD, semiconductor, electronics, petrochemical, water treatment, food and beverage, pharmaceutical and household water purification.

Grace is headquartered in Taipei, Taiwan. In order to manage a more efficient supply chain to meet different needs of markets, Grace has manufacturing facilities both in Taiwan and China. Having been registering in ISO 9001 standard and partnering with customers over 50 countries, Grace provides OEM services and helps clients with effective solutions for their fluid management challenges. Grace strives to understand the needs of our clients and provides products with good quality while remaining competitive offers.

🌀 **Corporate Headquarters :**

5F, No. 16-2, Sec. 2, Jhongyang S. Rd., Beitou District 11270, Taipei, Taiwan
TEL : +886-2-2898-1518 FAX : +886-2-2898-1517
E-Mail : info@taiwangrace.com.tw

🌀 **Taiwan Factory :**

Building C., No. 42-20, Ta-Hu, Ta-Kang Town, Kui-Shan Village, Tao-Yuan County, Taiwan

🌀 **China Factory :**

No. 578, Dong Ting Hu N. Rd., Zhou Sh Town, Kuen Shan City, Jiang Su Province 215337, China
TEL : +86-512-5512-2200 FAX : +86-512-5512-2201





Melt Blown Filter Cartridges



Grace high performance PP Melt Blown Filter Cartridges are constructed from high-tech and precisely automatic controlled machines. The cartridges are 100% made of FDA grade polypropylene resin which is ideal for most general filtration requirements. The fiber matrix of the filter cartridge has been engineered to provide structural integrity throughout the long service life and stable pressure drop. Excellent character of non-fiber releasing provides optimum fluid purity and eliminates foaming.

- Ⓞ **100% polypropylene construction provides excellent chemical compatibility with a variety of process fluids and applications.**
- Ⓞ **Graded pore construction provides optimum particle retention and prevents media migration, ensuring consistent filtration performance.**
- Ⓞ **Free of binders, additives and lubricants.**
- Ⓞ **Low pressure drop, high dirt holding capacity and long service life.**
- Ⓞ **Manufactured by FDA grade polypropylene resin.**

Applications

Plating Solutions, Pre RO/DI, Chemicals, Petrochemical Process, Food & Beverage, Electronics

Specifications

Filter Media	Polypropylene
Micron Rating	1, 5, 10, 25, 50, 75, 100 μ m
Gasket/O-ring	Silicone, EPDM, Viton, Teflon encapsulated Viton
Inside Diameter	0.8"(20mm), 0.9"(23mm), 1"(26mm), 1.1"(28mm), 1.2"(30mm), 1.3"(33mm), 1.4"(36mm)
Outside Diameter	2.4"(61mm), 2.5"(63mm), 2.55"(65mm)

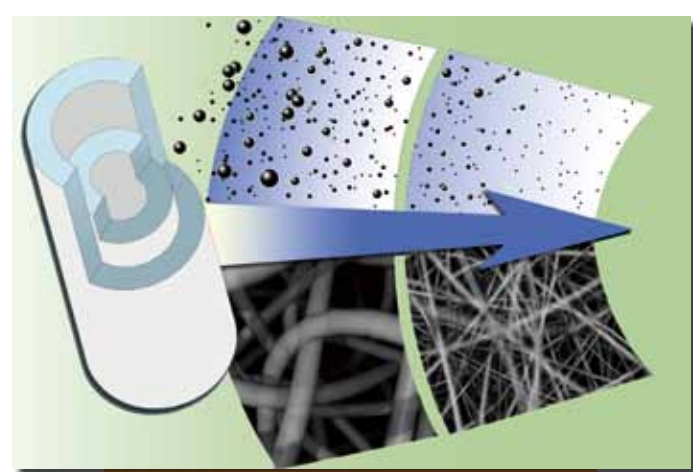
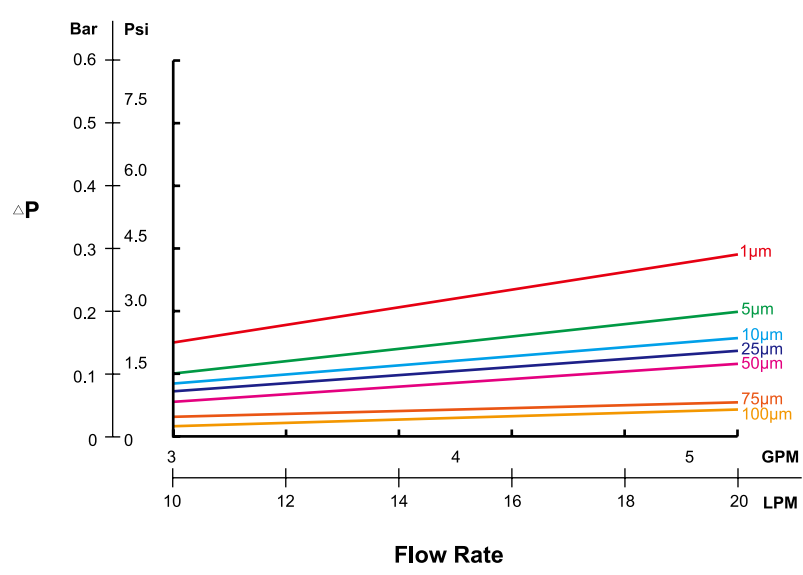
Operation Data

Maximum Operating Temperature : 60°C (140°F)
 Maximum Differential Pressure : 3.0 bar at 27°C (43 psi at 80°F)
 2.0 bar at 60°C (29 psi at 140°F)
 1.0 bar at 60°C (14 psi at 140°F)

Recommended Change Out Differential Pressure : 1 bar (14 psi)

Melt Blown Filter Cartridges

10" Polypropylene Melt Blown Filter Cartridge



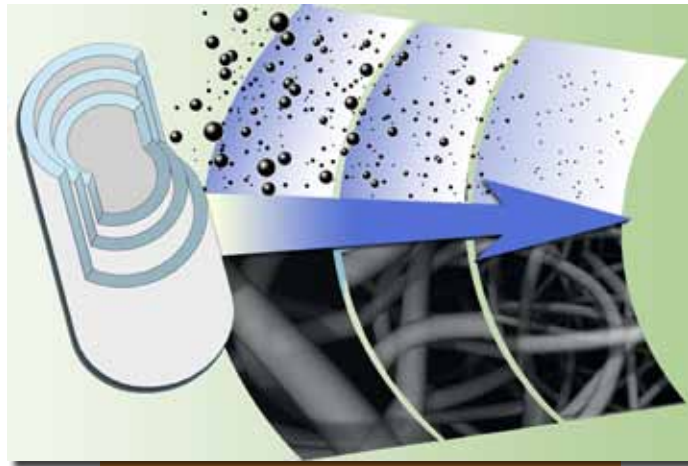
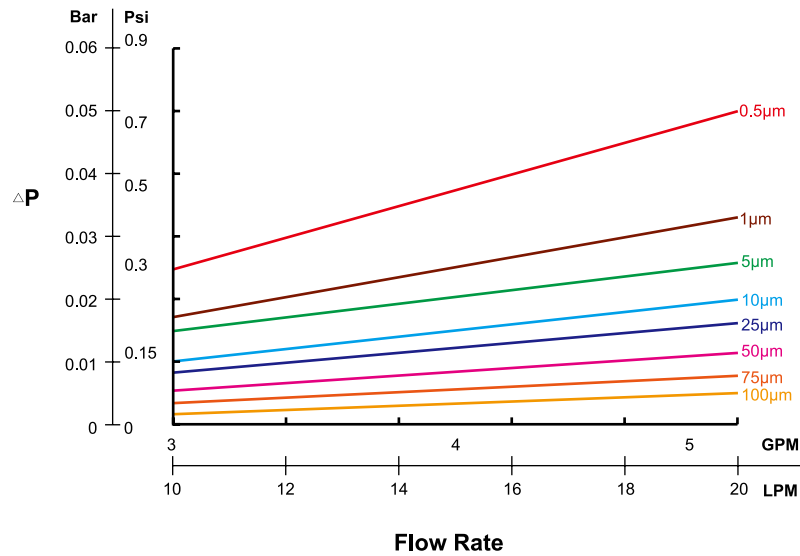
Two Layers Construction

Ordering Information

Type	Diameter	Micron Rating	Filter Media	Nominal Length (inch/mm)	Gasket/O-ring Option	End Cap Option	Option
PB Melt Blown Filter Cartridge	(blank) ID28mm, OD61mm	1 – 1 μm 5 – 5 μm 10 – 10 μm 25 – 25 μm 50 – 50 μm 75 – 75 μm 100 – 100 μm	P Polypropylene	05 - 127	S -Silicone E -EPDM V -Viton W -Teflon encapsulated Viton	0 :Flat Gasket Double Open End 5 :2-222 O-ring with Flat End 6 :2-226 O-ring with Flat End 8 :2-222 O-ring with Fin 9 : 2-226 O-ring with Fin	C - PP Core W - Patterned Surface U - Grooved Surface CW - PP Core + Patterned Surface CU - PP Core + Grooved Surface EX - Extended PP Core
	6C ID28mm, OD63mm			06 - 152			
	2C ID30mm, OD63mm			063 - 160			
	6D ID28mm, OD65mm			098 - 248			
	Other Customized Sizes			10 - 250			
				101 - 254			
				195 - 495			
	198 - 500						
	20 - 508						
	292 - 743						
	295 - 750						
	30 - 762						
	39 - 990						
	393 - 1000						
	40 - 1016						
	50 - 1270						
	Other Customized Sizes						
PB Melt Blown Filter Cartridge		1 1μm	P Polypropylene	20 20"(508mm)	V Viton O-ring	5 2-222 O-ring with Flat End	C PP Core

Industrial Melt Blown Filter Cartridges

10" Industrial PP Melt Blown Filter Cartridge



Three Layers Construction

Ordering Information

Type	Series	Micron Rating	Filter Media	Nominal Length (inch/mm)	Gasket/O-ring Option	End Cap Option	Option
PB Melt Blown Filter Cartridge	I-I Industrial 3 Layers	05 – 0.5 µm 1 – 1 µm 5 – 5 µm 10 – 10 µm 25 – 25 µm 50 – 50 µm 75 – 75 µm 100 – 100 µm	P Polypropylene	05 - 127	S -Silicone E -EPDM V -Viton W -Teflon encapsulated Viton	0 :Flat Gasket Double Open End 5 :2-222 O-ring with Flat End 6 :2-226 O-ring with Flat End 8 :2-222 O-ring with Fin 9 : 2-226 O-ring with Fin	C - PP Core W - Patterned Surface CW - PP Core + Patterned Surface EX - Extended PP Core
				06 - 152			
				063 - 160			
				098 - 248			
				10 - 250			
				101 - 254			
				195 - 495			
				198 - 500			
				20 - 508			
				292 - 743			
295 - 750							
30 - 762							
39 - 990							
393 - 1000							
40 - 1016							
50 - 1270							
Other Customized Sizes							
PB Melt Blown Filter Cartridge	I Industrial 3 Layers	5 5µm	P Polypropylene	20 20"(508mm)	V Viton O-ring	6 2-222 O-ring with Flat End	C PP Core

Absolute Rate Melt Blown Filter Cartridges



Grace Absolute Rate Melt Blown Filter Cartridges are constructed by an innovative design that utilizes flow pattern progressively from exterior surface to interior center. This design provides significant service life while maintaining consistent filtration efficiency. Manufactured with a truly graded density, the cartridges exhibit absolute rate at 99.9% and exceptional dirt holding capacity.

- Ⓞ **Absolute rate at 99.9% efficiency (Beta Ratio: 1000) with micron ratings from 1 μ m to 100 μ m.**
- Ⓞ **Continuously gradient pore construction increases dirt holding capacity.**
- Ⓞ **100% polypropylene depth filter cartridges for broad chemical compatibility.**
- Ⓞ **Free of binders, additives and lubricants.**
- Ⓞ **Manufactured by FDA grade polypropylene resin.**

Applications

Plating Solutions, Pre RO/DI, Chemicals, Petrochemical Process, Food & Beverage, Electronics

Specifications

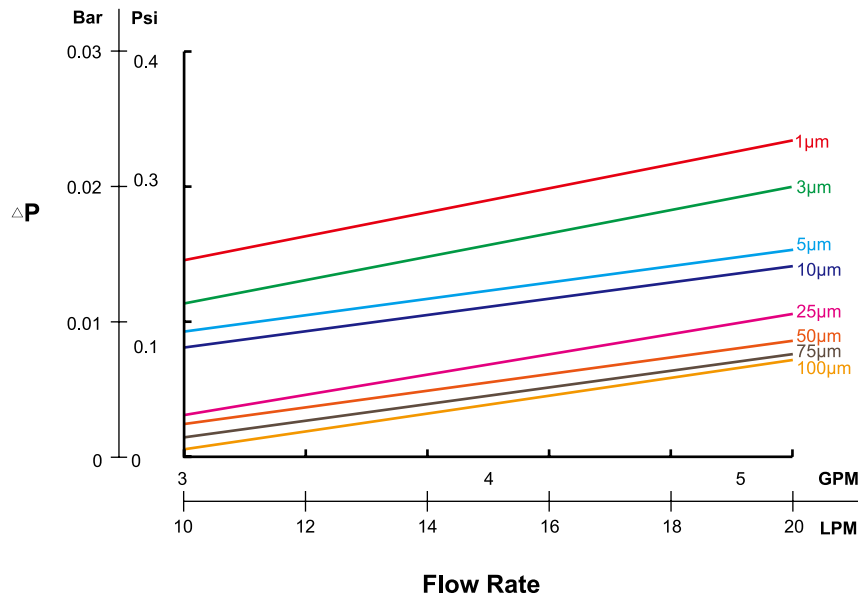
Filter Media	Polypropylene
Micron Rating	1, 3, 5, 10, 25, 50, 75, 100 μ m
Gasket/O-ring	Silicone, EPDM, Viton, Teflon encapsulated Viton
Inside Diameter	1.1"(28mm)
Outside Diameter	2.5"(63mm)

Operation Data

Maximum Operating Temperature : 60°C (140°F)
Maximum Differential Pressure : 4.0 bar at 20°C (58 psi at 68°F)
2.0 bar at 60°C (29 psi at 140°F)
1.0 bar at 60°C (14 psi at 140°F)
Recommended Change Out Differential Pressure : 2.0 bar (29 psi)

Absolute Rate Melt Blown Filter Cartridges

10" Absolute Rated Melt Blown Filter Cartridge



Ordering Information

Type	Series	Micron Rating	Filter Media	Nominal Length (inch/mm)	Gasket/O-ring Option	End Cap Option	Option
PB Melt Blown Filter Cartridge	A - Absolute	1 – 1 μm	P Polypropylene	098 - 248	S -Silicone E -EPDM V -Viton W -Teflon encapsulated Viton	0 :Flat Gasket Double Open End	C - PP Core
		3 – 3 μm		10 - 250			
		5 – 5 μm		101 - 254			
		10 – 10 μm		195 - 495			
		25 – 25 μm		198 - 500			
		50 – 50 μm		20 - 508			
		75 – 75 μm		295 - 750			
		100 – 100 μm		30 - 762			
			40 - 1016				
			Other Customized Sizes				
PB Melt Blown Filter Cartridge	A Absolute	10 10μm	P Polypropylene	098 9.8"(248mm)	S Silicone O-ring	9 2-226 O-ring with Fin	C PP Core



String Wound Filter Cartridges

Grace String Wound Filter Cartridges are manufactured by computer modeling process which optimizes the filter cartridges geometrically and maximizes the use of cartridge surface area by the diamond-shaped depth filtration cones. Enhanced graded density design offers high flow rate, low pressure drop and improved dirt holding capacity. Several filter media are available in Grace's SW series, playing more effective and efficient solutions in different applications and processes.

- Ⓞ **Continuous strand winding process provides consistent performances of high dirt holding capacity, long service and high flow rate.**
- Ⓞ **Numerous filter media provide excellent chemical compatibility for different applications.**
- Ⓞ **No odor, no foaming and no media migration.**
- Ⓞ **Computer programming capability optimizes the filter cartridge geometrically and maximizes the use of surface area.**

Applications

Plating Solutions, Pre RO, Chemicals, Petrochemical Process, Food & Beverage, Electronics

Specifications

Filter Media	Polypropylene, Bleached Cotton, Glass Fiber
Micron Rating	1, 5, 10, 20, 30, 50, 75, 100 μm
Core Material	Polypropylene, SUS304, SUS316
Inside Diameter	1.1"(28mm), 1.2"(30mm)
Outside Diameter	2.4"(61mm), 2.5"(63mm), 4.5"(115mm)

Operation Data

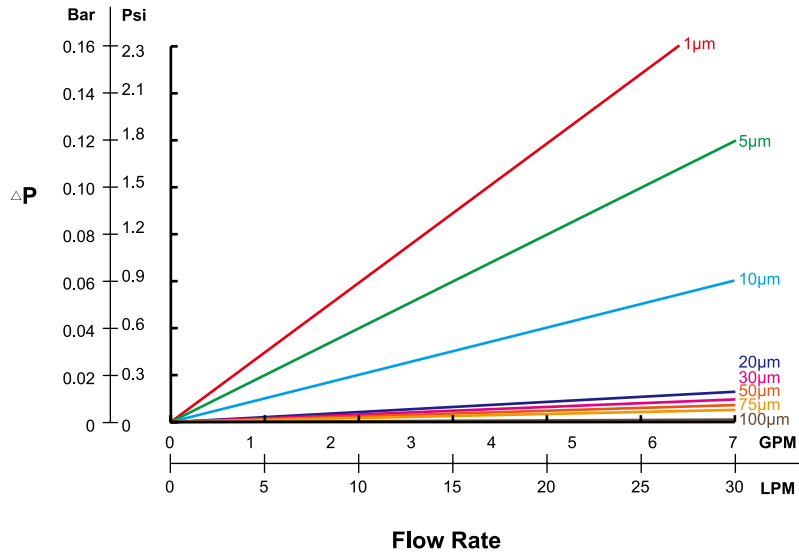
Maximum Operating Temperature : Polypropylene : 90°C (200°F)
 Bleached Cotton with SUS Core : 150°C (300°F)
 Glass Fiber with SUS Core : 400°C (750°F)

Maximum Differential Pressure: 2.7 bar at 27°C (50 psi at 80°F)
 1.4 bar at 60°C (20 psi at 140°F)
 0.7 bar at 82°C (10 psi at 180°F)

Recommended Change Out Differential Pressure : 1 bar (14 psi)

String Wound Filter Cartridges

10" Polypropylene String Wound Filter Cartridge

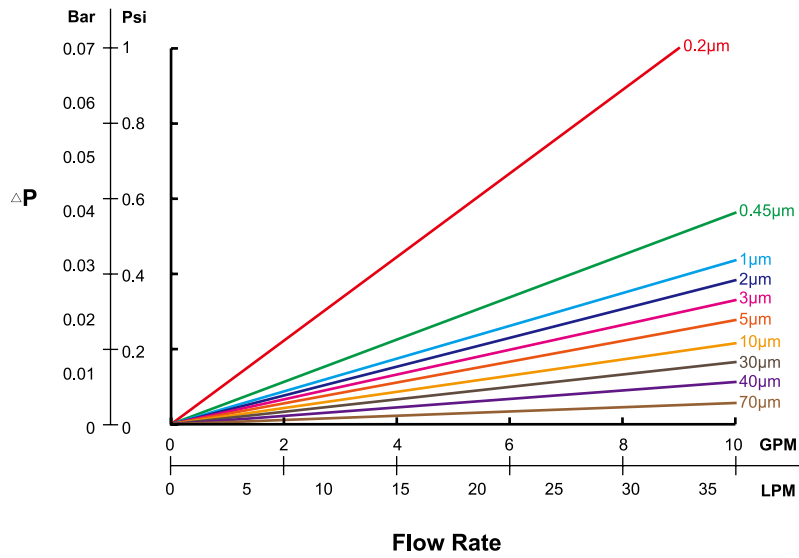


Ordering Information

Type	Filter Media	Micron Rating	Core Material	Nominal Length (inch/mm)	Diameter	Option
SW String Wound Filter Cartridge	P - Polypropylene B - Bleached Cotton G - Glass Fiber	1 – 1 μm	P - Polypropylene 4 - SUS304 6 - SUS316	098 - 248	OD63 ID28mm, OD63mm	EX - Extended Core
		5 – 5 μm		10 - 250		
		10 – 10 μm		101 - 254	(blank) ID28mm, OD61mm	
		20 – 20 μm		198 - 500		
		30 – 30 μm		20 - 508		
		50 – 50 μm		295 - 750		
		75 – 75 μm		30 - 762		
		100 – 100 μm		40 - 1016		
				Other Customized Sizes	Other Customized Sizes	
SW	P	1	P	20		
String Wound Filter Cartridge	Polypropylene	1μm	PP Core	20"(508mm)		

GDP - PP Fiber Pleated Filter Cartridges

10" Polypropylene Fiber Pleated Filter Cartridge



Sterilization

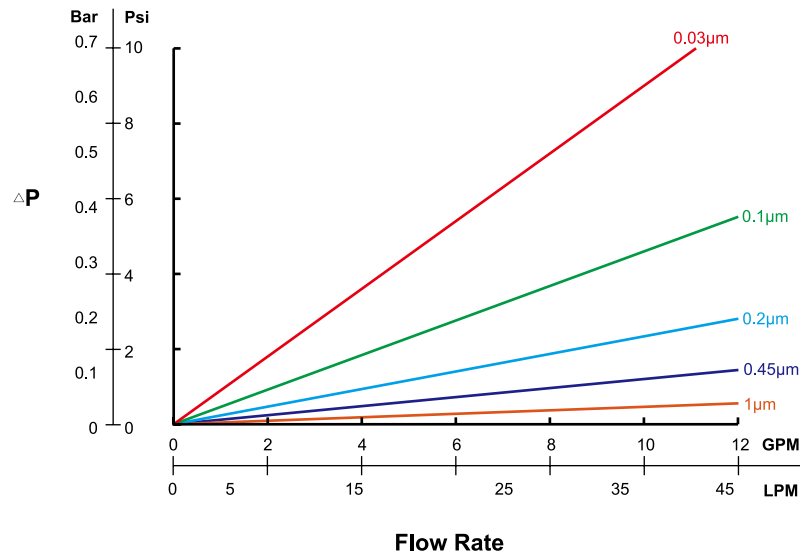
Autoclave or in situ steam : 121°C (250°F) for 30 minutes at 1.0 bar (14 psi)

Ordering Information

Type	Micron Ratings	Filter Media	Nominal Length (inch)	Gasket/O-ring Option	End Cap Option
GD PP Fiber Pleated Filter Cartridge	02 – 0.2 μm	P Polypropylene	10 - 10" 20 - 20" 30 - 30" 40 - 40" Other Customized Sizes	S -Silicone E -EPDM V -Viton W -Teflon encapsulated Viton	0 :Flat Gasket Double Open End 5 :2-222 O-ring with Flat End 6 :2-226 O-ring with Flat End 8 :2-222 O-ring with Fin 9 : 2-226 O-ring with Fin
	0H – 0.45μm				
	1 – 1 μm				
	2 – 2 μm				
	3 – 3 μm				
	5 – 5 μm				
	10 – 10 μm				
	30 – 30 μm				
	40 – 40 μm				
	70 – 70 μm				
GD PP Fiber Pleated Filter Cartridge	5 5μm	P PP	10 10"	S Silicone O-ring	9 2-226 O-ring with Fin

GDS - Polyethersulfone Membrane Pleated Filter Cartridges

10" Polyethersulfone Membrane Pleated Filter Cartridge

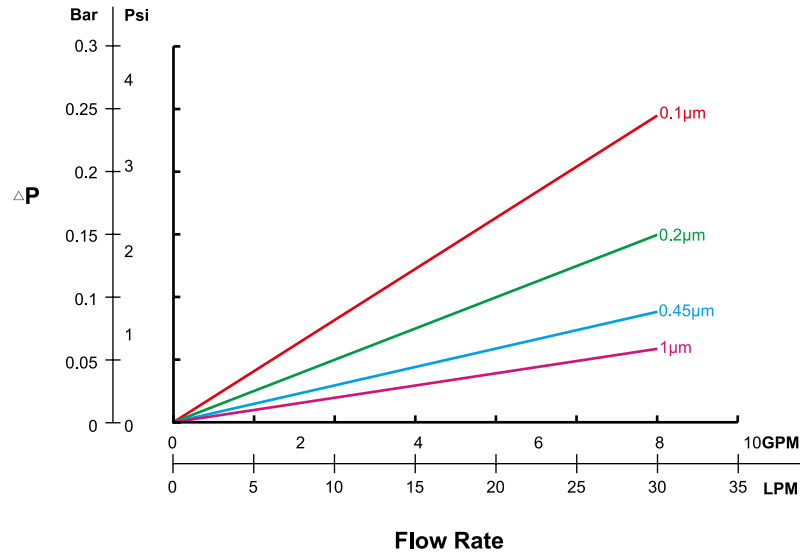


Ordering Information

Type	Micron Rating	Filter Media	Nominal Length (inch)	Gasket/O-ring Option	End Cap Option
GD Pleated Membrane Filter Cartridge	0X3 – 0.03 μm	S Polyethersulfone	10 - 10"	S -Silicone	0 :Flat Gasket Double Open End
	01 – 0.1 μm		20 - 20"	E -EPDM	5 :2-222 O-ring with Flat End
	02 – 0.2 μm		30 - 30"	V -Viton	6 :2-226 O-ring with Flat End
	0H – 0.45 μm		40 - 40"	W -Teflon encapsulated	8 :2-222 O-ring with Fin
	1 – 1 μm		Other Customized Sizes	V iton	9 : 2-226 O-ring with Fin
GD Pleated Membrane Filter Cartridge	02 0.2μm	S Polyethersulfone	10 10"	S Silicon O-ring	0 Flat Gasket Double Open End

GDN - Nylon Membrane Pleated Filter Cartridges

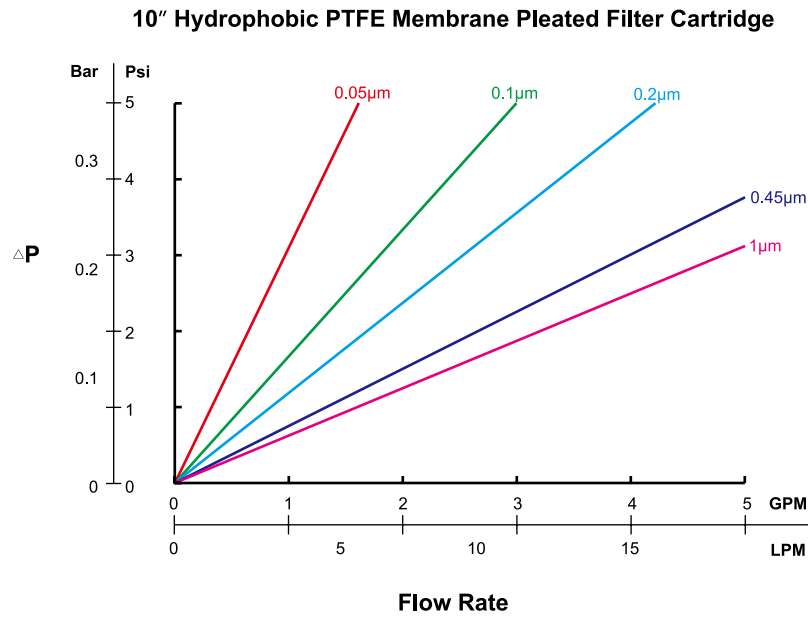
10" Nylon Membrane Pleated Filter Cartridge



Ordering Information

Type	Micron Rating	Filter Media	Nominal Length inch	Gasket/O-ring Option	End Cap Option
GD Pleated Membrane Filter Cartridge	01 – 0.1 μm	N Nylon	10 - 10"	S -Silicone E -EPDM V -Viton W -Teflon encapsulated Viton	0 :Flat Gasket Double Open End 5 :2-222 O-ring with Flat End 6 :2-226 O-ring with Flat End 8 :2-222 O-ring with Fin 9 : 2-226 O-ring with Fin
	02 – 0.2 μm		20 - 20"		
	0H – 0.45 μm		30 - 30"		
	1 – 1 μm		40 - 40"		
			Other Customized Sizes		
GD Pleated Membrane Filter Cartridge	1 1μm	N Nylon	10 10"	S Silicon O-ring	0 Flat Gasket Double Open End

GDF - Hydrophobic PTFE Membrane Pleated Filter Cartridges



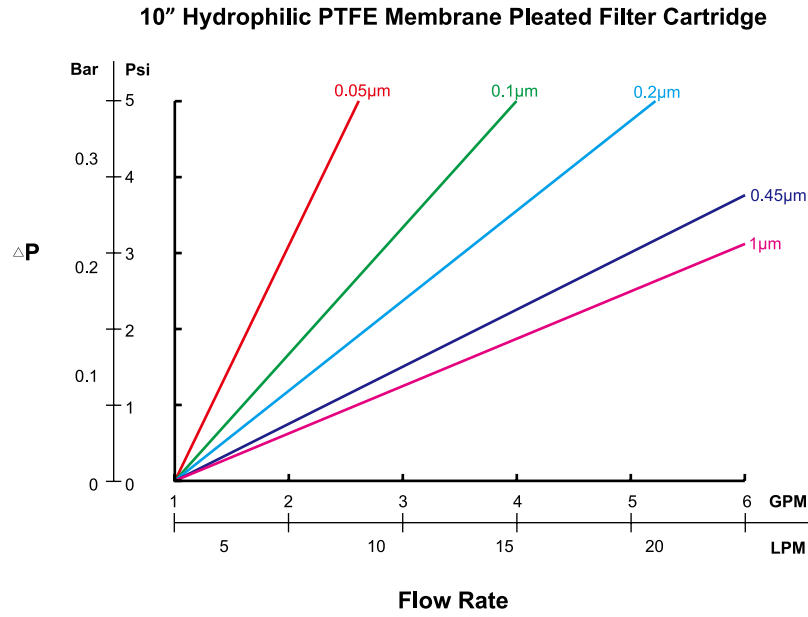
Sterilization

Autoclave or in situ steam : 121°C (250°F) for 30 minutes at 1.0 bar (14 psi)

Ordering Information

Type	Micron Rating	Filter Media	Nominal Length (inch)	Gasket/O-ring Option	End Cap Option
GD Pleated Membrane Filter Cartridge	0X5 – 0.05 µm	F Hydrophobic PTFE	10 - 10"	S -Silicone E -EPDM V -Viton W -Teflon encapsulated Viton	0 :Flat Gasket Double Open End 5 :2-222 O-ring with Flat End 6 :2-226 O-ring with Flat End 8 :2-222 O-ring with Fin 9 : 2-226 O-ring with Fin
	01 – 0.1 µm		20 - 20"		
	02 – 0.2 µm		30 - 30"		
	0H – 0.45 µm		40 - 40"		
	1 – 1 µm		Other Customized Sizes		
GD Pleated Membrane Filter Cartridge	02 0.2µm	F Hydrophobic PTFE	10 10"	S Silicon O-ring	0 Flat Gasket Double Open End

GDH - Hydrophilic PTFE Membrane Pleated Filter Cartridges



Sterilization

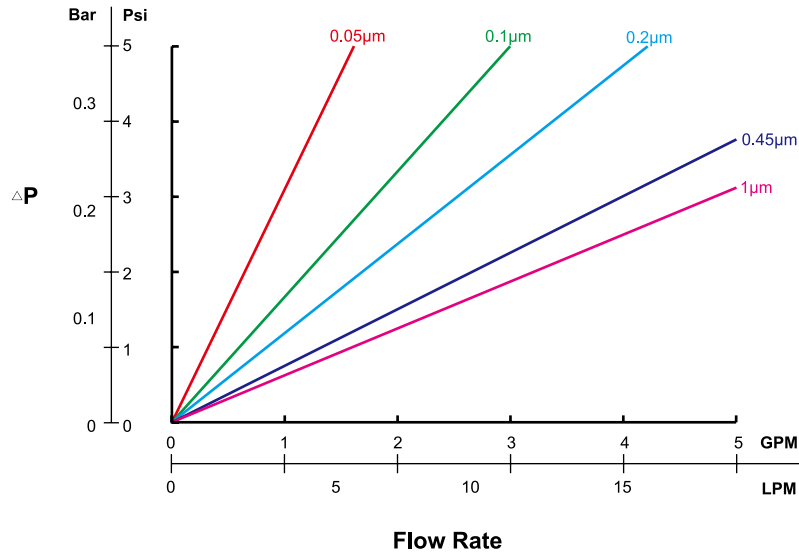
Autoclave or in situ steam : 121°C (250°F) for 30 minutes at 1.0 bar (14 psi)

Ordering Information

Type	Micron Rating	Filter Media	Nominal Length inch	Gasket/O-ring Option	End Cap Option
GD Pleated Membrane Filter Cartridge	0X5 – 0.05 µm	H Hydrophilic PTFE	10 - 10"	S -Silicone V -Viton E -EPDM W -Teflon encapsulated Viton	0 : Flat Gasket Double Open End
	01 – 0.1 µm		20 - 20"		5 : 2-222 O-ring with Flat End
	02 – 0.2 µm		30 - 30"		6 : 2-226 O-ring with Flat End
	0H – 0.45 µm		40 - 40"		8 : 2-222 O-ring with Fin
	1 – 1 µm		Other Customized Sizes		9 : 2-226 O-ring with Fin
GD Pleated Membrane Filter Cartridge	02 0.2µm	H Hydrophilic PTFE	10 10"	S Silicon O-ring	0 Flat Gasket Double Open End

GDT - All Fluoropolymer Membrane Pleated Filter Cartridges

10" Hydrophobic PTFE Membrane Pleated Filter Cartridge



Ordering Information

Type	Micron Rating	Filter Media	Nominal Length (inch)	Gasket/O-ring Option	End Cap Option
GD Pleated Membrane Filter Cartridge	0X5 – 0.05 µm	T All Fluoropolymer	10 - 10"	W -Teflon encapsulated Viton	5 :2-222 O-ring with Flat End
	01 – 0.1 µm		20 - 20"		6 :2-226 O-ring with Flat End
	02 – 0.2 µm		30 - 30"		8 :2-222 O-ring with Fin
	0H – 0.45 µm		40 - 40"		9 : 2-226 O-ring with Fin
	1 – 1 µm		Other Customized Sizes		
GD Pleated Membrane Filter Cartridge	01 0.1µm	T All Fluoropolymer	10 10"	W Teflon encapsulated Viton	5 2-222 O-ring with Flat End



GDV - PVDF Membrane Pleated Filter Cartridges

G DV Membrane Pleated Filter Cartridges are constructed of hydrophobic polyvinylidene fluoride (PVDF) membranes with advantage of extremely low protein binding, offering superior bacteria and particle removal efficiency. With a wide range of chemical compatibility, GDV cartridges are ideal for pharmaceutical and biological processes in less aggressive applications.

- Ⓞ **Extremely low protein binding character offers superior bacteria and particle removal efficiency.**
- Ⓞ **Economic alternatives to all fluoropolymer filter cartridges in less aggressive applications.**
- Ⓞ **Satisfy various chemical processes by broad chemical compatibility.**
- Ⓞ **100% integrity tested and testable in situ.**
- Ⓞ **May be autoclaved (121°C, 30 minutes cycles) or in situ steam sterilized (125°C, 30 minutes cycles) for a maximum accumulated exposure of 10 hours.**

Applications

RO/DI Processes, Storage Tank Vents, Process Gases, Solvents, Semiconductor, Food & Beverage, Chemicals, Pharmaceutical, Medicine Filtration

Specifications

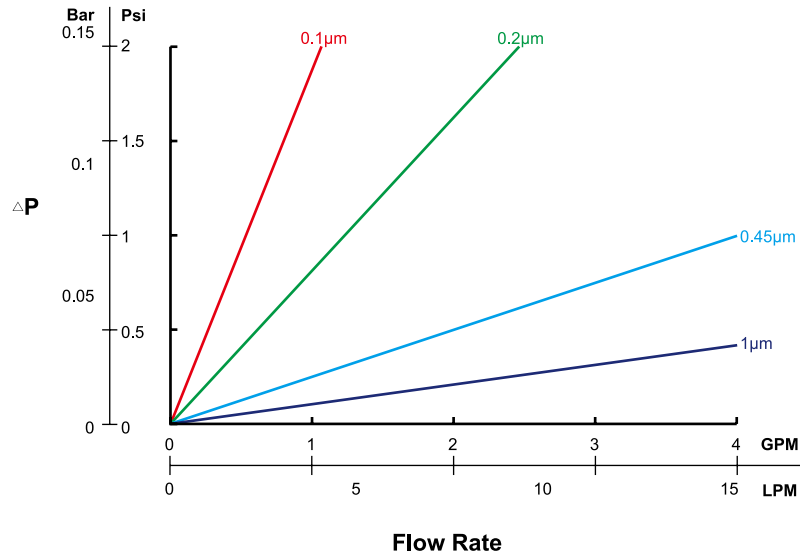
Filter Media	PVDF
Micron Rating	0.1, 0.2, 0.45, 1 µm
Gasket/O-ring	Silicone, EPDM, Viton, Teflon encapsulated Viton
Core	Polypropylene
Filter Support	Polypropylene
End Cap	Polypropylene
Cage	Polypropylene
Outside Diameter	2.7"(70mm)

Operation Data

Maximum Operating Temperature : 100°C (212°F)
 Maximum Differential Pressure : 4.8 bar at 20°C (70 psi at 68°F)
 2.1 bar at 100°C (30 psi at 212°F)
 Recommended Change Out Differential Pressure : 2.4 bar (35 psi)

GDV - PVDF Membrane Pleated Filter Cartridges

10" PVDF Membrane Pleated Filter Cartridge



Ordering Information

Type	Micron Rating	Filter Media	Nominal Length (inch)	Gasket/O-ring Option	End Cap Option
GD Pleated Membrane Filter Cartridge	01 – 0.1 µm	V PVDF	10 - 10"	S -Silicone E -EPDM V -Viton W -Teflon encapsulated Viton	0 : Flat Gasket Double Open End 5 : 2-222 O-ring with Flat End 6 : 2-226 O-ring with Flat End 8 : 2-222 O-ring with Fin 9 : 2-226 O-ring with Fin
	02 – 0.2 µm		20 - 20"		
	0H – 0.45 µm		30 - 30"		
	1 – 1 µm		40 - 40"		
			Other Customized Sizes		
GD Pleated Membrane Filter Cartridge	01 0.1µm	V PVDF	10 10"	S Silicone O-ring	0 Flat Gasket Double Open End



GDB - High Flow Rate TFT-LCD Wet Process Filter Cartridges

GDB series are designed with bigger filtration area in order to contribute to better performances of high flow rate, long service life and high retention efficiency. Advantages of longer service life and simple-to-use design reduce maintaining costs greatly due to fewer filter change outs and easier replacements. GDB filter cartridges are available in various filter media which play efficiently as excellent solutions for different needs.

- Ⓞ High surface area design provides superior flow rate and high dirt holding capacity, resulting in better cost-saving solutions.**
- Ⓞ Long service life demands fewer filter change outs and easier replacements.**
- Ⓞ Cartridges are designed to meet special needs in processes requiring high purity.**
- Ⓞ Available in various filter media and micron ratings to satisfy different needs.**

Specifications

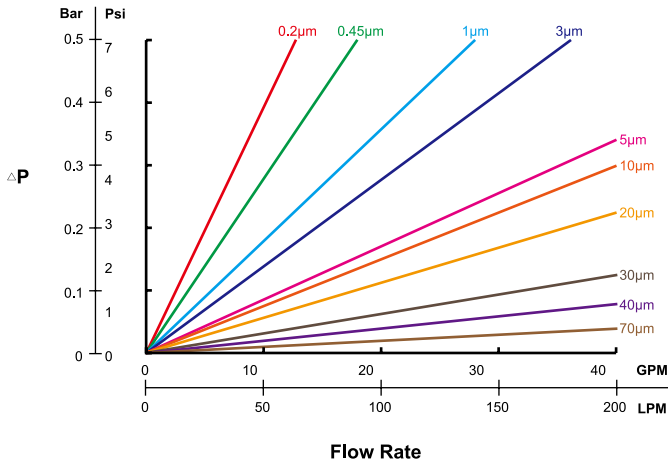
Filter Media	Polypropylene, Polyethersulfone, PTFE, SUS316, SUS316L
O-ring	EPDM, Viton, Teflon encapsulated Viton
Core	Polypropylene, SUS316, SUS316L
Filter Support	Polypropylene, SUS316, SUS316L
End Cap	Polypropylene, SUS316, SUS316L
Cage	Polypropylene, SUS316, SUS316L
Outside Diameter	82mm

Operation Data

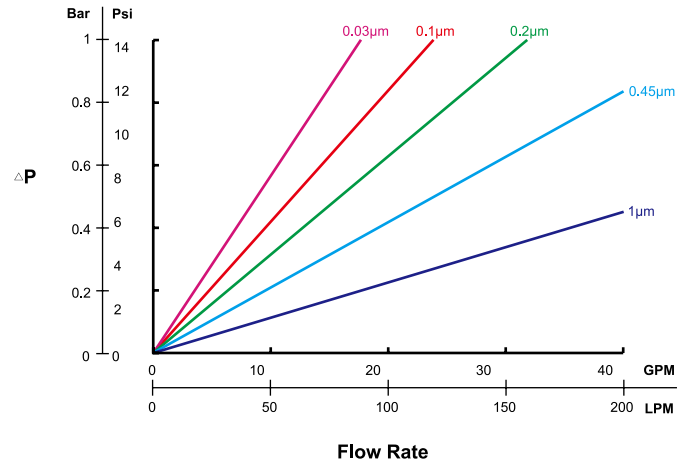
Filter Media	Polypropylene	Polyethersulfone	PTFE	SUS
Micron Rating	0.2, 0.45, 1, 3, 5, 10, 20, 30, 40, 70 µm	0.03, 0.1, 0.2, 0.45, 1 µm	0.1, 0.2, 0.45, 1, 3, 10 µm	1, 2, 3, 5, 10, 20, 30, 50, 70, 100 µm
Maximum Operating Temperature	80°C (176°F)	80°C (176°F)	90°C (194°F)	190°C (374°F)
Maximum Recommended Differential Pressure	4.8 bar at 20°C (70 psi at 68°F) 3.4 bar at 50°C (50 psi at 122°F) 1.4 bar at 80°C (20 psi at 176°F)	4.8 bar at 20°C (70 psi at 68°F) 3.4 bar at 50°C (50 psi at 122°F) 1.4 bar at 80°C (20 psi at 176°F)	4.8 bar at 20°C (70 psi at 68°F) 2.1 bar at 90°C (30 psi at 194°F) 1.4 bar at 90°C (20 psi at 194°F)	4.8 bar at 50°C (70 psi at 122°F) 3.4 bar at 80°C (50 psi at 176°F) 1.4 bar at 110°C (20 psi at 230°F)
Recommended Change Out Differential Pressure	2.4 bar (35 psi)	2.4 bar (35 psi)	2.4 bar (35 psi)	2.4 bar (35 psi)

GDB-High Flow Rate TFT-LCD Wet Process Filter Cartridges

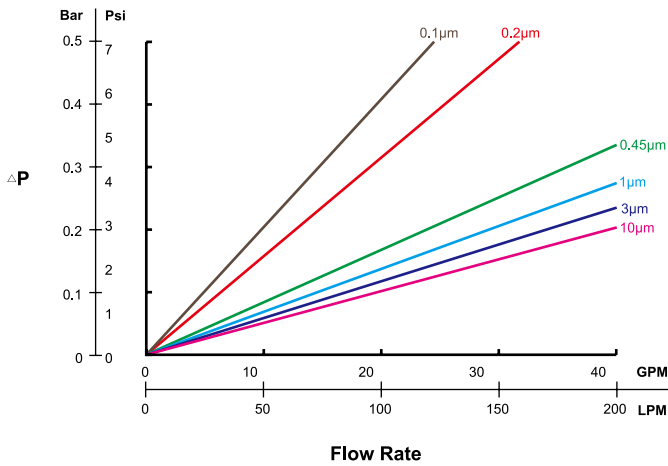
10" GDB Polypropylene Fiber Pleated Filter Cartridges



10" GDB Polyethersulfone Membrane Pleated Filter Cartridges



10" GDB Hydrophobic PTFE Membrane Pleated Filter Cartridges



Ordering Information

Type	Series	Micron Rating	Filter Media	Nominal Length (inch)	O-ring Option	End Cap Option
GD Pleated Membrane Filter Cartridge	B - B Series	0X3 - 0.03 μm	P - Polypropylene S - Polyethersulfone F - Hydrophobic PTFE 6 - SUS316 7 - SUS316L	10 - 9" 11 - 10" Other Customized Sizes	E-EPDM V-Viton W-Teflon encapsulated Viton	5:2-222 O-ring with Flat End 7:No Bayonet 2-226 O-ring with Flat End
		01 - 0.1 μm				
		02 - 0.2 μm				
		0H - 0.45 μm				
		1 - 1 μm				
		2 - 2 μm				
		3 - 3 μm				
		5 - 5 μm				
		10 - 10 μm				
		20 - 20 μm				
		30 - 30 μm				
40 - 40 μm						
50 - 50 μm						
70 - 70 μm						
100 - 100 μm						
GD Pleated Membrane Filter Cartridge	B B Series	1 1μm	P Polypropylene	10 10"	E EPDM O-ring	5 2-222 O-ring with Flat End

7G-High Flow Rate TFT-LCD Wet Process Filter Cartridges



Grace 7G High Flow Rate Filter Cartridges are particularly designed for TFT-LCD wet process with advantages of superior high flow rate, long service life and low pressure drop. Furthermore, 7G filter cartridges provide cost-saving solutions for fewer filter change outs and easier replacements. Available in various filter media and micron ratings, 7G filter cartridges play efficiently to meet different needs in critical applications.

- Ⓞ **High surface area design provides superior flow rate and high dirt holding capacity, resulting in better cost-saving solutions.**
- Ⓞ **Long service life demands fewer filter change outs and easier replacements.**
- Ⓞ **Cartridges are designed to meet special needs in processes requiring high purity.**
- Ⓞ **Available in various filter media and micron ratings to satisfy different needs.**

Specifications

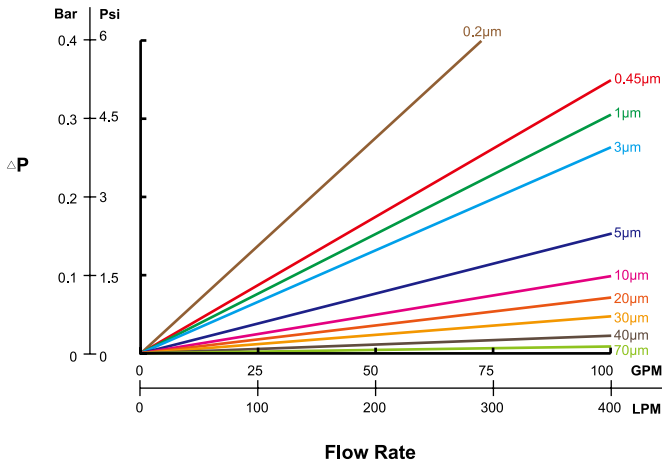
Filter Media	Polypropylene, Polyethersulfone, PTFE, SUS316, SUS316L
O-ring	EPDM, Viton, Teflon encapsulated Viton
Core	Polypropylene, SUS316, SUS316L
Filter Support	Polypropylene, SUS316, SUS316L
End Cap	Polypropylene, SUS316, SUS316L
Cage	Polypropylene, SUS316, SUS316L
Outside Diameter	5.15"(131mm)

Operation Data

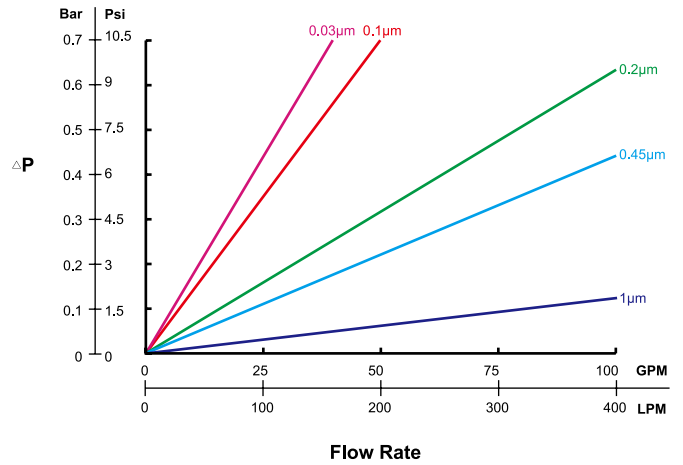
Filter Media	Polypropylene	Polyethersulfone	PTFE	SUS
Micron Rating	0.2, 0.45, 1, 3, 5, 10, 20, 30, 40, 70 μm	0.03, 0.1, 0.2, 0.45, 1 μm	0.1, 0.2, 0.45, 1, 3, 10 μm	1, 2, 3, 5, 10, 20, 30, 50, 70, 100 μm
Maximum Operating Temperature	80°C (176°F)	80°C (176°F)	90°C (194°F)	190°C (374°F)
Maximum Recommended Differential Pressure	4.8 bar at 20°C (70 psi at 68°F) 3.4 bar at 50°C (50 psi at 122°F) 1.4 bar at 80°C (20 psi at 176°F)	4.8 bar at 20°C (70 psi at 68°F) 3.4 bar at 50°C (50 psi at 122°F) 1.4 bar at 80°C (20 psi at 176°F)	4.8 bar at 20°C (70 psi at 68°F) 2.1 bar at 90°C (30 psi at 194°F) 1.4 bar at 90°C (20 psi at 194°F)	4.8 bar at 50°C (70 psi at 122°F) 3.4 bar at 80°C (50 psi at 176°F) 1.4 bar at 110°C (20 psi at 230°F)
Recommended Change Out Differential Pressure	2.4 bar (35 psi)	2.4 bar (35 psi)	2.4 bar (35 psi)	2.4 bar (35 psi)

7G-High Flow Rate TFT-LCD Wet Process Filter Cartridges

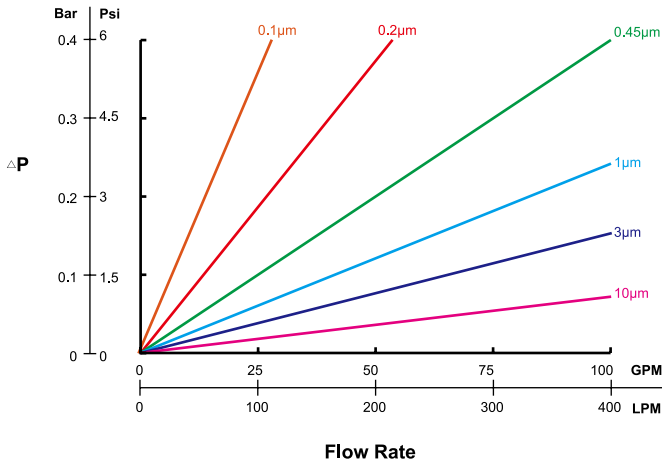
7G Polypropylene Fiber Pleated Filter Cartridge



7G Polyethersulfone Membrane Pleated Filter Cartridge



7G Hydrophobic PTFE Membrane Pleated Filter Cartridge



Ordering Information

Type	Series	Micron Rating	Filter Media	Nominal Length (inch)	O-ring Option
GD Pleated Membrane Filter Cartridge	7G - 7G Series	0X3 – 0.03 μm	P - Polypropylene S - Polyethersulfone F - Hydrophobic PTFE 6 - SUS316 7 - SUS316L	10 - 10" Other Customized Sizes	S -Silicone E -EPDM V -Viton W -Teflon encapsulated Viton
		01 – 0.1 μm			
		02 – 0.2 μm			
		0H – 0.45 μm			
		1 – 1 μm			
		3 – 3 μm			
		5 – 5 μm			
		10 – 10 μm			
		20 – 20 μm			
		30 – 30 μm			
40 – 40 μm					
50 – 50 μm					
70 – 70 μm					
100 – 100 μm					
GD Pleated Membrane Filter Cartridge	7G 7G Series	5 5μm	P Polypropylene	10 10"	E EPDM O-ring

Capsule Filters



Grace Capsule Filters are designed in compact sizes and suitable for small batch processes of liquids and gases. The self-contained character makes the product line easy in maintenance and ideal for critical point-of-use applications such as small scale production line and research facilities. Grace capsule filters provide fast change out, optimum equipment efficiency and enhanced safety.

- Ⓞ **Features of self-contained characteristic and wide chemical compatibility are ideal for critical point-of-use applications.**
- Ⓞ **Available in various filter media and sizes for different small scale processes.**
- Ⓞ **Disposable design makes change outs easy and quick.**
- Ⓞ **Free of additives and binders by the thermal welding construction.**

Applications

Laboratory Facilities, Small Volume Filtration, Photoresists, Dye, Air Vents, Pharmaceutical, Food & Beverage, Cosmetics

Specifications

Filter Type	Filter Media	Housing/Support Material	Micron Rating
CAP	Polypropylene	Polypropylene	0.2, 0.45, 1, 3, 5, 10, 20, 30, 40, 70 µm
CAS	Polyethersulfone	Polypropylene	0.03, 0.1, 0.2, 0.45, 1 µm
CAN	Nylon	Polypropylene	0.1, 0.2, 0.45, 1 µm
CAF	Hydrophobic PTFE	Polypropylene	0.1, 0.2, 0.45, 1 µm
CAV	PVDF	Polypropylene	0.1, 0.2, 0.45, 1 µm

Operation Data

Maximum Operating Temperature : 50°C (122°F)
 Maximum Differential Pressure : 5.0 bar at 38°C (72 psi at 102°F)
 Recommended Change Out Differential Pressure : 3.5 bar at 23°C (50 psi at 73°F)

Capsule Filters

Dimensions

Size	Filtration Area	Inlet/Outlet Connection	Vent/Drain Connection
ø70mm x 114mmH	1300cm ²	1/4" NPTM	1/8" NPTM
ø78mm x 172mmH	2600cm ²	1/2"NPTM	1/4"NPTM
ø72mm x 114mmH	1300cm ²	1/4" Swagelok	1/8"Swagelok
ø72mm x 114mmH	1300cm ²	1/4" Swagelok	1/4"Swagelok
ø72mm x 114mmH	1300cm ²	3/8" Swagelok	1/4"Swagelok
ø72mm x 172mmH	2600cm ²	3/8" Swagelok	1/4"Swagelok
ø72mm x 172mmH	2600cm ²	1/2" Swagelok	1/4"Swagelok
ø68mm x 88mmH	650cm ²	3/8" Hose Barb	1/8"NPTM

Ordering Information

Type	Size	Micron Rating	Filter Media	Inlet/Outlet Connection	Vent/Drain Connection
CA Capsule Filter	A - ø70mm x 114mmH	0X3 – 0.03 µm	P - Polypropylene S - Polyethersulfone N - Nylon F - Hydrophobic PTFE V - PVDF	N02 - 1/4" NPTM	N01 - 1/8" NPTM
	B - ø72mm x 172mmH	01 – 0.1 µm		S03 - 3/8" Swagelok	S02 - 1/4" Swagelok
	A - ø72mm x 114mmH	02 – 0.2 µm		S02 - 1/4" Swagelok	S02 - 1/4" Swagelok
	A - ø72mm x 114mmH	0H – 0.45 µm		S02 - 1/4" Swagelok	S01 - 1/8" Swagelok
	A - ø72mm x 114mmH	1 – 1 µm		S03 - 3/8" Swagelok	S02 - 1/4" Swagelok
	A - ø72mm x 114mmH	3 – 3 µm		N04 - 1/2" NPTM	N02 - 1/4" NPTM
	B - ø78mm x 172mmH	5 – 5 µm		S04 - 1/2" Swagelok	S02 - 1/4" Swagelok
	B - ø72mm x 172mmH	10 – 10 µm		H03 - 3/8" Hose Barb	N01 - 1/8" NPTM
	B - ø72mm x 172mmH	20 – 20 µm			
	H - ø68mm x 88mmH	30 – 30 µm			
		40 – 40 µm			
		70 – 70 µm			
CA Capsule Filter	A ø70mm x 114mmH	01 0.1µm	F PTFE	N02 Inlet/Outlet:1/4" NPTM	N01 Vent/Drain:1/8" NPTM

High Flow Rate Pleated Filter Cartridges



Grace High Flow Rate Pleated Filter Cartridges are made of pleated filter media and designed for applications requiring low pressure drop and high flow capacity. Manufactured by high quality polymer media, the cartridges exhibit highly effective retention efficiency as well as reusable convenience. The design of great surface area extends service life and makes the cartridge one of the most economic options in water treatment.

- Ⓞ ***Pleated surface results in great filtration area, providing longer service life and more competitive solutions.***
- Ⓞ ***Fewer change outs and less maintenance are required.***
- Ⓞ ***Manufactured by high quality polymer media, the cartridges exhibit highly effective retention efficiency and reusable convenience.***
- Ⓞ ***Available in a variety of lengths to meet different needs and equipment requirements.***

Applications

Pharmaceuticals, PCW, Food & Beverage, Drinking Water, Pre RO/DI, Petrochemical, Cooling Water, Chemicals, Electronics

Specifications

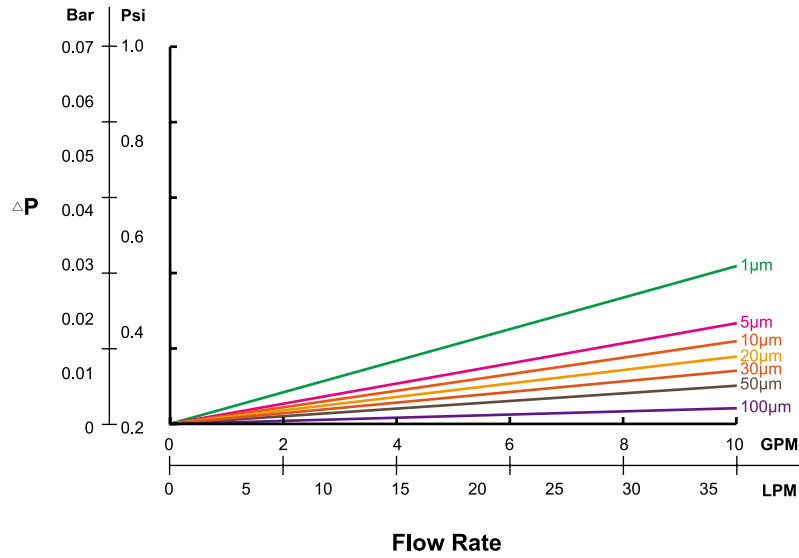
Filter Media	Polypropylene, Polyester
Micron Rating	1, 5, 10, 20, 30, 50, 100 μm
Core	Polypropylene
End Cap	Polyurethane
Inside Diameter	1.1" (28mm)
Outside Diameter	2.68" (68mm)

Operation Data

Maximum Operating Temperature : 75°C (167°F)
Maximum Differential Pressure : 4.8 bar at 20°C (70 psi at 68°F)
3.4 bar at 50°C (50 psi at 122°F)
Recommended Change Out Differential Pressure : 2.4 bar (35 psi)

High Flow Rate Pleated Filter Cartridges

10" High Flow Rate Polyester Pleated Filter Cartridge



Ordering Information

Type	Micron Rating	Filter Media	Nominal Length (inch)
HP High Flow Rate Pleated Filter Cartridge	1 – 1 μm	P - Polypropylene	5 - 5"
	5 – 5 μm	E -Polyester	10 - 10"
	10 – 10 μm		20 - 20"
	20 – 20 μm		30 - 30"
	30 – 30 μm		40 - 40"
	50 – 50 μm		Other Customized Sizes
	100 – 100 μm		
HP High Flow Rate Pleated Filter Cartridge	50 50μm	E Polyester	10 10"



M7000 High Flow Pleated Filter Cartridges

Grace M7000 High Flow Pleated Filter Cartridges are constructed by 2 styles of filter media which are thermally bound PP and pleated microfiber PP, providing high particle retention efficiency while remaining low pressure drop. With advantages of great surface area and extended service life, fewer change outs are required. M7000 filter cartridges are particularly recommended for processes demanding high purity and big flow capacity.

- Ⓞ **High dirt loading capacity for long service life and superior retention efficiency.**
- Ⓞ **Require fewer change outs and less maintenance.**
- Ⓞ **Broad chemical compatibility is ideal for chemical applications requiring high purity.**
- Ⓞ **Convenient handle for easy manual and installation. No loose parts to assemble thus less labor costs.**
- Ⓞ **Free of binders, additives and lubricants.**

Applications

Pre RO/DI, Cooling Water, Chemicals, Petrochemical, Electronics, Food & Beverage, Petrochemical

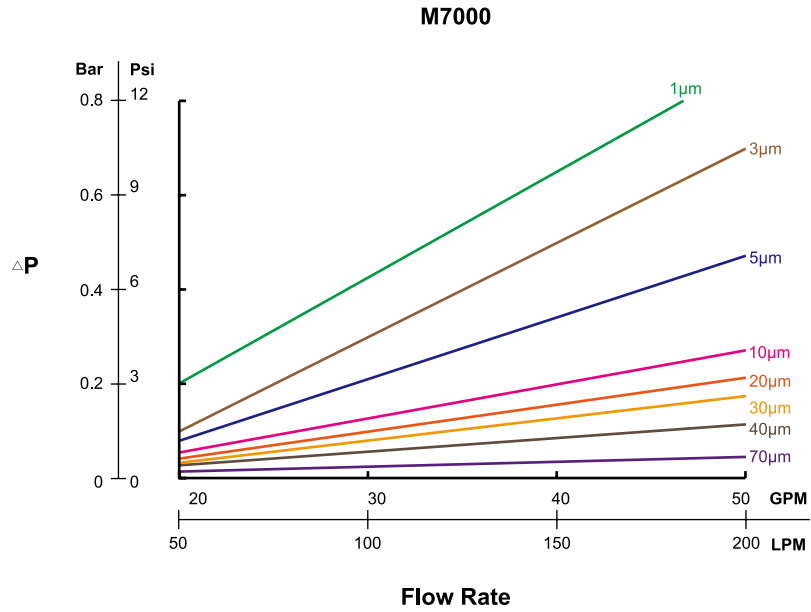
Specifications

Filter Media	Polypropylene
Micron Rating	1, 3, 5, 10, 20, 30, 40, 70 μm
Gasket/O-ring	Silicone, EPDM, Viton, Teflon encapsulated Viton
Core	Polypropylene
Filter Support	Polypropylene
End Cap	Polypropylene
Cage	Polypropylene
Inside Diameter	1.6"(40mm)
Outside Diameter	6.5"(165mm)

Operation Data

Maximum Operating Temperature : 70°C (160°F)
 Maximum Differential Pressure : 3.4 bar at 20°C (50 psi at 68°F)
 Recommended Change Out Differential Pressure : 2.4 bar (35 psi)

M7000 High Flow Pleated Filter Cartridges



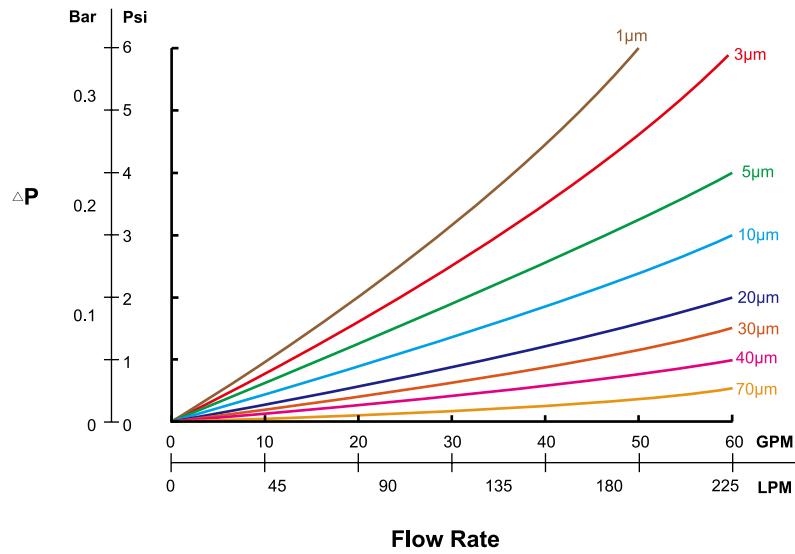
Ordering Information

GD PP Fiber Pleated Cartridge Type					
Type	Series	Micron Rating	Filter Media	Nominal Length (inch)	O-ring Option
GD Pleated Membrane Filter Cartridge	M7 - M7000 Series	1 – 1 μm	P -Polypropylene	40 - 40"	S -Silicone E -EPDM V -Viton W -Teflon encapsulated Viton
		3 – 3 μm			
		5 – 5 μm			
		10 – 10 μm			
		20 – 20 μm			
		30 – 30 μm			
		40 – 40 μm			
70 – 70 μm					
GD Pleated Membrane Filter Cartridge	M7 M7000 Series	5 5μm	P Polypropylene	40 40"	V Viton O-ring

PB Melt Blown Filter Cartridge Type					
Type	Series	Micron Rating	Filter Media	Nominal Length (inch)	O-ring Option
PB Melt Blown Filter Cartridge	M7 - M7000 Series	1 – 1 μm	P -Polypropylene	40 - 40"	S -Silicone E -EPDM V -Viton W -Teflon encapsulated Viton
		3 – 3 μm			
		5 – 5 μm			
		10 – 10 μm			
		20 – 20 μm			
		30 – 30 μm			
		40 – 40 μm			
70 – 70 μm					
PB Melt Blown Filter Cartridge	M7 M7000 Series	5 5μm	P Polypropylene	40 40"	E EPDM O-ring

Bag Type High Flow Filter Cartridges

Size 1 Bag Type High Flow Filter Cartridge



Ordering Information

Type	Series	Micron Rating	Filter Media	Nominal Length (inch)	Gasket/O-ring Option
GD PP Fiber Pleated Filter Cartridge	SH - Bag Type Series	1 – 1 μm 3 – 3 μm 5 – 5 μm 10 – 10 μm 20 – 20 μm 30 – 30 μm 40 – 40 μm 70 – 70 μm	P -Polypropylene	1 – Size 1 Bag 2 – Size 2 Bag 40 – 40" Length	E -EPDM V -Viton
GD PP Fiber Pleated Filter Cartridge	SH Bag Type Series	5 5μm	P Polypropylene	2 No. 2 Bag	V Viton O-ring



Big Pleated High Flow Filter Cartridges

Grace Big Pleated High Flow Filter Cartridges utilize pleated depth media and result in exceptional flow capacity, low pressure drop and excellent retention efficiency. The considerate design of top handle makes manual operation quick and easy. Extended service life and less maintenance requirement make the filter cartridges as one of the most cost-saving solutions in big RO applications.

- Ⓞ **High surface area results in longer service life, lower pressure drop and higher flow capacity.**
- Ⓞ **The considerate design of top handle makes change out quick and easy.**
- Ⓞ **Extended service life and less maintenance requirement make the cartridges as one of the most cost-saving solutions.**
- Ⓞ **Available in various sizes and filter media to meet different needs and applications.**
- Ⓞ **Free of additives and binders due to advanced thermally welding construction.**

Applications

Pre RO/DI, Cooling Water, Chemicals, Petrochemical, Electronics, Food & Beverage, Petrochemical

Specifications

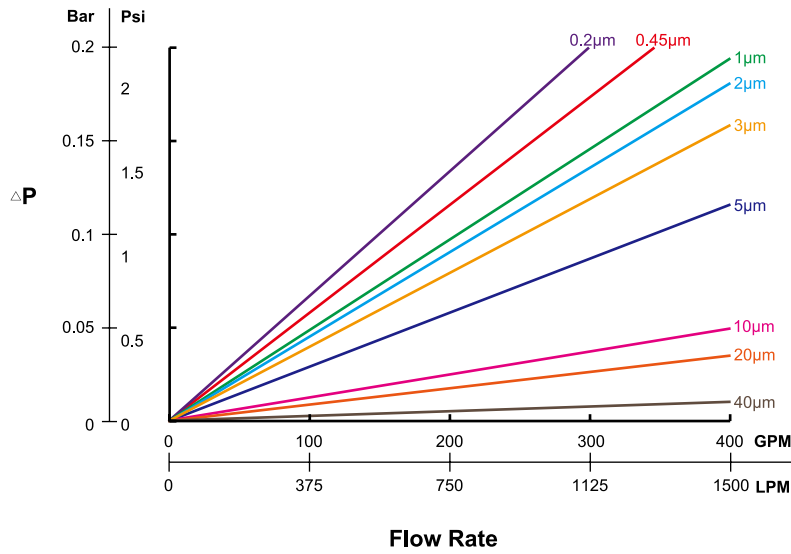
Type	Polypropylene Melt Blown	Polypropylene Fiber Pleated	Glass Fiber Pleated	Polyethersulfone Pleated
Micron Rating	1, 5, 10, 20, 30, 50, 100 μm	1, 5, 10, 20, 40, 70 μm	1, 5, 10, 20 μm	0.1, 0.2, 0.5, 1 μm
O-ring	Silicone, EPDM, Viton, Teflon encapsulated Viton			
Core	Glass Filled Polypropylene	Glass Filled Polypropylene	Glass Filled Polypropylene	Glass Filled Polypropylene
Filter Support	Polypropylene	Polypropylene	Polyester	Polypropylene
End Cap	Glass Filled Polypropylene	Glass Filled Polypropylene	Glass Filled Polypropylene	Glass Filled Polypropylene
Cage	Glass Filled Polypropylene	Glass Filled Polypropylene	Glass Filled Polypropylene	Glass Filled Polypropylene
Inside Diameter	3"(75mm)			
Outside Diameter	6"(152mm)			

Operation Data

	Polypropylene	Glass Fiber	Polyethersulfone
Maximum Operating Temperature	82°C (180°F)	121°C (250°F)	82°C (180°F)
Maximum Differential Pressure	3.4 bar at 82°C (50 psi at 180°F), 2.2 bar at 25°C (33 psi at 77°F)		
Recommended Change Out Differential Pressure	2.2 bar (33 psi)		

Big Pleated High Flow Filter Cartridges

40" Polypropylene Big Pleated High Flow Filter Cartridge



Ordering Information

Type	Series	Micron Rating	Filter Media	Nominal Length (inch)	End Cap	O-ring
PB Melt Blown Filter Cartridge	AT - ATO Series	01 – 0.1 μm	P -Polypropylene S -Polyethersulfone G -Glass Fiber	20 - 20" 40 - 40" 60 - 60" Other Customized Sizes	(blank) -Open End N -Sealed End	S -Silicone E -EPDM V -Viton W -Teflon encapsulated Viton
		02 – 0.2 μm				
		0H – 0.45 μm				
		1 – 1 μm				
		2 – 2 μm				
		5 – 5 μm				
GD PP Fiber Pleated Filter Cartridge		100 – 100 μm				
GD PP Fiber Pleated Filter Cartridge	AT ATO Series	5 5 μm	P Polypropylene	20 20"	N Sealed End	E EPDM O-ring

Fine Chemical Filter Cartridges



Grace Fine Chemical Filter Cartridges are designed in compact sizes for small scale process filtration. Manufactured by high quality filter media and advanced thermal welding techniques, the cartridges ensure superior cleanliness and avoid contamination. Grace Fine Chemical Filter Cartridges are available in a variety of filter media for different needs of demanding processes.

Applications

Air Vents, Developers, Inks, CD-R Process

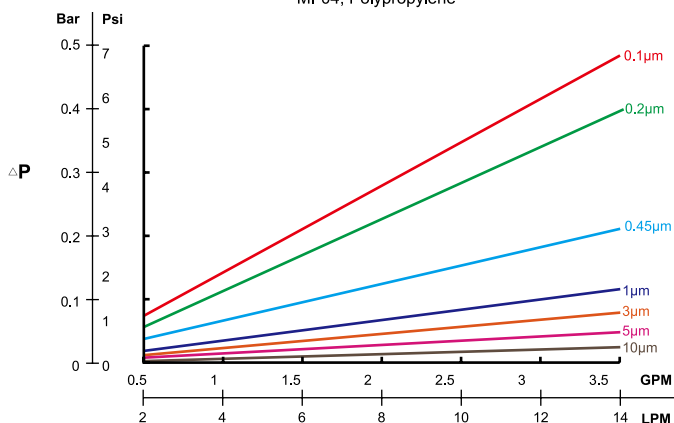
Specifications

Filter Media	Polypropylene, Hydrophobic PTFE, PVDF
Micron Rating	0.1, 0.2, 0.45, 1, 3, 5, 10 μm
Gasket/O-ring	Silicone, EPDM, Viton, Teflon encapsulated Viton
Core	Polypropylene
Filter Support	Polypropylene
Cage	Polypropylene

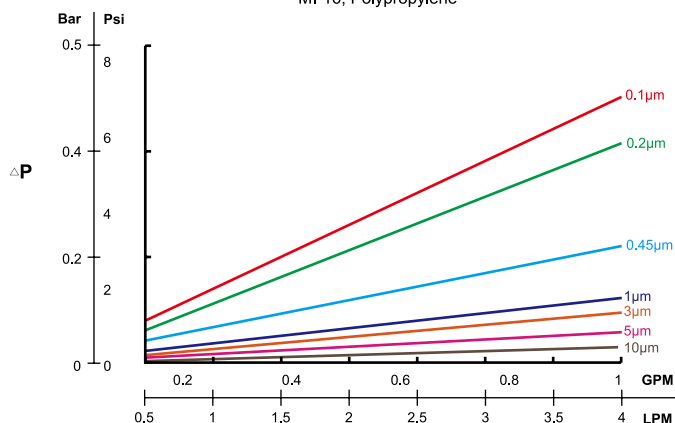
Ordering Information

Type	Size	Micron Rating	Filter Media	O-ring Option	End Cap Option
MI Mini Filter	MC – $\text{Ø}57\text{mm} \times 75\text{mm}$	01 – 0.1 μm	P-Polypropylene F-PTFE V-PVDF	S-Silicone V-Viton E-EPDM W-Teflon encapsulated Viton	116 – Single Internal O-ring
	MC – $\text{Ø}57\text{mm} \times 135\text{mm}$	02 – 0.2 μm			118 – Double O-rings
	40 – $\text{Ø}67\text{mm} \times 123\text{mm}$	0H – 0.45 μm			
	04 – $\text{Ø}63\text{mm} \times 20\text{mm}$	1 – 1 μm			
	06 – $\text{Ø}60\text{mm} \times 15\text{mm}$	3 – 3 μm			
	08 – $\text{Ø}63\text{mm} \times 50\text{mm}$	5 – 5 μm			015 – Single O-ring
	16 – $\text{Ø}60\text{mm} \times 45\text{mm}$	10 – 10 μm			
MI Mini Filter	40 $\text{Ø}67\text{mm} \times 123\text{mm}$	01 0.1 μm	P Polypropylene	S015 015 O-ring with Silicone	

Fine Chemical Filter Cartridge
MI-04, Polypropylene



Fine Chemical Filter Cartridge
MI-16, Polypropylene



CPC - Carbon Impregnated Cellulose Filter Cartridges

Grace CPC Filter Cartridges are constructed by carbon impregnated cellulose media carrying considerably high carbon content. The polyester reinforcement external netting provides additional strength and high dirt loading capacity. Featuring dual functions of fine sediment removal and chlorine deduction, the CPC cartridges are ideal and economic options for general water filtration.



- ⊗ **Excellent adsorptive capability and particle removal efficiency.**
- ⊗ **High chlorine, taste and odor reduction competency.**
- ⊗ **Extended strength and high dirt holding capacity.**
- ⊗ **Offers true depth filtration for fine chemical applications.**

Applications

Plating Processes, Electronics, Solvents, Pre RO/DI, Chemicals, Metal Finishing Process, Drinking Water, Food & Beverage

Specifications

Filter Media	Carbon Impregnated Cellulose
Micron Rating	5 μm
Gasket/O-ring	Buna-N
Core	Polypropylene
Inside Size	1.1"(28mm)
Outside Size	2.6"(65mm)

Operation Data

Maximum Operating Temperature : 52°C (125°F)
 Maximum Differential Pressure : 4.5 bar at 25°C (65 psi at 77°F)
 Recommended Change Out Differential Pressure : 2.1 bar(31 psi)

Ordering Information

Type	Series	Nominal Length (inch)
CC Carbon Filter Cartridge	P - Carbon Impregnated Cellulose Series	5 - 5"
		10 - 10"
		20 - 20"
		30 - 30"
		40 - 40"
		Other Customized Sizes
CC Carbon Filter Cartridge	P Carbon Impregnated Cellulose Series	10 10"



CCW - Granular Carbon PP String Wound Filter Cartridges

Grace CCW Filter Cartridges incorporate granular carbon with string wound Polypropylene medium, providing effective control of taste and odor, reducing contaminants of chlorine and dissolved organics in water. The 2 in 1 products feature excellent filtration performances of superior adsorption by impregnated carbon and 5 micron rating by graded Polypropylene construction.

- Ⓞ **Excellent adsorptive capability and efficiency.**
- Ⓞ **High chlorine, taste and odor reduction capacity.**
- Ⓞ **Extended dirt holding capacity.**
- Ⓞ **No carbon and fiber release.**
- Ⓞ **Reduce impurities of dissolved organics, chlorine and chemical contaminants in water.**

Applications

Plating Processes, Electronics, Solvents, Pre RO/DI, Chemicals, Metal Finishing Process, Drinking Water, Waste Water Treatment

Specifications

Filter Media	Granular Activated Carbon & Polypropylene String Wound
Micron Rating	5 μ m
Core	Polypropylene
Inside Size	1.1"(28mm)
Outside Size	2.4"(61mm), 2.5"(63mm)

Operation Data

Maximum Operating Temperature : 70°C (158°F)
 Maximum Differential Pressure : 4.5 bar at 25°C (65 psi at 77°F)
 Recommended Change Out Differential Pressure : 1 bar (14 psi)

Ordering Information

Type	Series	Nominal Length (inch)	Outside Size
CC Carbon Filter Cartridge	W - Granular Carbon String Wound Series	10 - 10" 20 - 20" 30 - 30" 40 - 40" Other Customized Sizes	(blank) - 2.4"(61mm) 063 - 2.5"(63mm)
CC Carbon Filter Cartridge	W Granular Carbon String Wound Series	10 10"	

CCT - Activated Carbon Block Filter Cartridges

Grace CCT Filter Cartridges are made of activated carbon block which is manufactured by strictly controlled engineering processes. The CCT filter cartridges are highly effective in reducing undesired odor, bad taste and chlorine in water. Grace CCT filter cartridges offer economic solutions for a wide range of residential, commercial and industrial water processes.

- Ⓞ **Excellent adsorptive capability and efficiency.**
- Ⓞ **High chlorine, taste and odor reduction capacity.**
- Ⓞ **Extended dirt holding capacity.**
- Ⓞ **Reduce impurities of dissolved organics, chlorine and chemical contaminants in water.**
- Ⓞ **No carbon powder release.**

Applications

Drinking Water, Pre RO/DI, Food & Beverages, Electronics, Chemicals, Waste Water Treatment, Petrochemical, Plating Processes

Specifications

Filter Media	Coconut Shell / Coal Based Activated Carbon Block
Micron Rating	5 μ m
Gasket	Buna-N
Inside Size	1.1"(28mm), 1.2"(30mm)
Outside Size	2.7"(70mm), 2.5"(65mm)

Operation Data

Maximum Operating Temperature : 80°C (176°F)
 Maximum Differential Pressure : 7.0 bar at 25°C (100 psi at 77°F)
 Recommended Change Out Differential Pressure : 2.1 bar (31 psi)

Ordering Information

Type	Series	Nominal Length (inch)	Size	Option
CC Carbon Filter Cartridge	T - Carbon Block Series	5 - 5" 10 - 10" 20 - 20" 30 - 30" 40 - 40" Other Customized Sizes	(blank) - 2.5"(63mm) 065 - 2.55"(6mm)	C - Coconut Based Carbon M - Coal Based Carbon MC - Coal Based Refined Carbon
CC Carbon Filter Cartridge	T Carbon Block Series	10 10"		C Coconut Based Carbon

Big Filter Cartridges



Grace Big Filter Cartridges are featured with bigger outer diameter, exhibiting large filtration area and supplying longer service life. These big filter cartridges are particularly recommended as cost economic solutions for processes requiring high flow capacity and cost effective demand. Available in various filter media and micron ratings, Grace big filter cartridges are suitable for a wide range of applications.

- Ⓞ Available in a variety of filter media and micron ratings.
- Ⓞ Cost effective solutions with longer service life and fewer change outs.
- Ⓞ Advantages with high flow rate, low pressure drop and high dirt loading capacity.
- Ⓞ Applicable to commercial filter housings with great convenience.

Applications

Pre RO/DI, Household Water Filtration, Lab Facilities, Chemicals, Waste Water Teratment, Cooling Water, Bottle Water, Food & Beverage, Swimming Pool, Electronics

Ordering Information

Melt Blown Big Filter Cartridges					
Type	Series	Micron Rating	Filter Media	Nominal Length (inch)	
PB Melt Blown	B - Big Filter	1 – 1 µm 5 – 5 µm 100 – 100 µm	P - Polypropylene	10 - 10" 20 - 20" Other Customized Sizes	
PB Melt Blown	B Big Filter	1 1µm	P Polypropylene	10 10"	
String Wound Big Filter Cartridges					
Type	Filter Media	Series	Micron Rating	Core	Nominal Length (inch)
SW String Wound	P - Polypropylene B - Bleached Cotton G - Glass Fiber	B - Big Filter	1 – 1 µm 5 – 5 µm 100 – 100 µm	P - Polypropylene 4 - SUS304 6 - SUS316	10 - 10" 20 - 20" Other Customized Sizes
SW String Wound	P Polypropylene	B Big Filter	5 5µm	P Polypropylene	10 10"
High Flow Rated Big Filter Cartridges					
Type	Series	Micron Rating	Filter Media	Nominal Length (inch)	Gasket Option
HP High Flow Rated Pleated Filter Cartridge	B - Big Filter	1 – 1 µm 5 – 5 µm 100 – 100 µm	P - Polypropylene E - Polyester 4 - SUS304 6 - SUS316	10 - 10" 20 - 20" Other Customized Sizes	E - EPDM V - Viton
HP High Flow Rated Pleated Filter Cartridge	B Big Filter	5 5µm	P Polypropylene	10 10"	E EPDM Gasket

Big Filter Cartridges

Melt Blown Big Filter Cartridges

Filter Media	Polypropylene		
Micron Rating	1, 5, 10, 25, 50, 75, 100 µm		
Inside Diameter	1.1"(28mm)		
Outside Diameter	4.5"(115mm)		
Maximum Operating Temperature	60°C (140°F)		
Maximum Differential Pressure	3 bar at 27°C (43 psi at 80°F)		
Recommended Change Out Differential Pressure	1 bar (14.5 psi)		

String Wound Big Filter Cartridges

Filter Media	Polypropylene, Bleached Cotton, Glass Fiber		
Micron Rating	1, 5, 10, 20, 30, 50, 75, 100 µm		
Core	Polypropylene, SUS304, SUS316		
Inside Diameter	1.1"(28mm)		
Outside Diameter	4.5"(115mm)		
	Polypropylene	Bleached Cotton	Glass Fiber
Maximum Operating Temperature	90°C (200°F)	150°C (300°F)	400°C (750°F)
Maximum Differential Pressure	2.7 bar at 27°C (50 psi at 80°F)		
Recommended Change Out Differential Pressure	1 bar (14.5 psi)		

High Flow Rated Pleated Big Filter Cartridges

Filter Media	Polyester, Polypropylene, Stainless Steel		
Micron Rating	1, 5, 10, 20, 30, 50, 75, 100 µm		
Core	Polypropylene, SUS304, SUS316		
End Cap	Polyurethane, SUS304, SUS316		
Inside Diameter	1.1"(28mm)		
Outside Diameter	4.5"(115mm)		
	Polyester	Polypropylene	Stainless Steel
Maximum Operating Temperature	75°C (167°F)	75°C (167°F)	677°C (1250°F)
Maximum Differential Pressure	4.8 bar at 20°C (70 psi at 68°F)		
Recommended Change Out Differential Pressure	2.4 bar (35 psi)		

Activated Carbon Big Filter Cartridges

Filter Media	Activated Carbon Impregnated Cellulose, Granular Carbon PP String Wound, Activated Carbon Block		
Micron Rating	5 µm		
Core	Polypropylene		
End Cap	Polyurethane		
Inside Diameter	1.1"(28mm)		
Outside Diameter	4.5"(115mm)		
	Activated Carbon Impregnated Cellulose	Granular Carbon PP String Wound	Activated Carbon Block
Maximum Operating Temperature	52°C (125°F)	70°C (158°F)	80°C (176°F)
Maximum Differential Pressure	4.5bar at 25°C (65psi at 77°F)	4.5bar at 25°C (65psi at 77°F)	6.9bar at 25°C (100psi at 77°F)
Recommended Change Out Differential Pressure	2.1bar (31psi)	1bar (14.5psi)	2.1bar (31psi)

Backwashable Pleated Polypropylene Microfibers Filter Cartridges

Ordering Information

Type	Series	Micron Rating	Filter Media	Nominal Length (inch)	Gasket/O-ring Option	End Cap Option
GD Pleated Filter Cartridge	W Backwashable Series	1 – 1 μm 5 – 5 μm 10 – 10 μm	P Polypropylene	60 - 60" 70 - 70"	S -Silicone E -EPDM V -Viton W -Teflon encapsulated Viton	0 :Flat Gaskets Double Open End 5 :2-222 O-ring with Flat End 6 :2-226 O-ring with Flat End 8 :2-222 O-ring with Fin 9 : 2-226 O-ring with Fin T :Extended PP Thread Adapter
GD Pleated Filter Cartridge	W Backwashable Series	5 5μm	P Polypropylene	60 60"	S Silicone O-ring	6 2-226 O-ring with Flat End

Netclean Pleated Filter Cartridges

Ordering Information

Type	Series	Micron Rating	Filter Media	Nominal Length (inch)	Gasket/O-ring Option	End Cap Option
HP High Flow Rate Pleated Filter Cartridge	N Netclean Series	1 – 1 μm	P - Polypropylene E -Polyester G -Glass Fiber	10 - 10"	S -Silicone E -EPDM V -Viton B -NBR	(blank) :DOE 5 :2-222 O-ring with Flat End 6 :2-226 O-ring with Flat End 8 :2-222 O-ring with Fin 9 : 2-226 O-ring with Fin
		2 – 2 μm		20 - 20"		
		5 – 5 μm		30 - 30"		
		10 – 10 μm		40 - 40"		
		20 – 20 μm		Other Customized Sizes		
		50 – 50 μm				
HP High Flow Rate Pleated Filter Cartridge	N Netclean Series	5 5μm	P Polypropylene	10 10"	S Silicone O-ring	6 2-226 O-ring with Flat End



Extensfiber String Wound Filter Cartridges

Grace Extensfiber String Wound Filter Cartridges are specially designed and developed for boiler water systems of power production facilities. Manufactured of continuous filament yarn along with strong spiral stainless steel center cores, the Extensfiber filter cartridges are greatly improved in integrity and durability and therefore avoid fiber deterioration during process. Extensive length of filter cartridge yields higher output, making Extensfiber an ideal option to meet requirement of increasingly stringent boiler feed water with high flow rate.

- Ⓞ **Continuous filament yarn results in improved removal efficiency and service lifespan, preventing fiber migration during process.**
- Ⓞ **Spiral stainless steel center core greatly enhances integrity and durability and avoids product deterioration in stringent boiler feed water systems.**
- Ⓞ **Extended stainless steel thread adapter makes element change-out quick and easy.**
- Ⓞ **Extensive length of filter cartridge exhibits higher output and longer service life, providing an economic option for processes requiring big flow rate.**

Applications

Pre RO, Cooling Water, Boiler Water, Plating Solutions, Petrochemical Processes, Electronics, Solvents, Inks

Specifications

Filter Media	Polypropylene
Micron Rating	1, 5 µm
Core Material	SUS304
Inside Diameter	1.1"(28mm)
Outside Diameter	2.4"(61mm), 2.5"(63mm)

Operation Data

Maximum Operating Temperature :Maximum Differential 70°C (158°F)
 Pressure: 2.7 bar at 27°C (50 psi at 80°F)
 1.4 bar at 60°C (20 psi at 140°F)
 1.0 bar at 80°C (14 psi at 176°F)
 Recommended Change Out Differential Pressure : 2.0 bar (29 psi)

Extensfiber String Wound Filter Cartridges

Ordering Information

Type	Series	Micron Rating	Filter Material	Nominal Length (inch/mm)	Core Material	End Cap Style
SW String Wound Filter Cartridge	L - Extensfiber	1 – 1 µm 5 – 5 µm	P - Polypropylene	60 - 1524 70 - 1778 Other Customized Sizes	4 - SUS304	EX - Extended Core T24 - Extended Thread Adapter 1 3/16"(1.19") 24 threads/inch T20 - Extended Thread Adapter 1/4" 20 threads/inch
SW String Wound Filter Cartridge	L Extensfiber	1 1µm	P Polypropylene	70 70"(1778mm)	4 SUS304	EX Extended Core



Stainless Steel Filter Cartridges

Grace Stainless Steel Filter Cartridges are superior replacements to those who can't withstand server operating conditions such as strong acid and alkali, high temperature and critical operating pressure. Each layer of Grace stainless steel filter cartridges is metallurgical bonded which ensures stable pore size without media migration in severe process conditions. Constructed by stainless steel wire mesh or metal fiber, Grace stainless steel filter cartridges are available in a wide range of micron ratings.

Applications

CPF, CPL, Process Gases, Petrochemical, Strong Acid & Alkali, Separation, Silencing, Optoelectronics, Food & Beverages, PCB, High Viscosity Process, Polymer Filtration

Specifications

Filter Media	SUS304, SUS316, SUS316L Wire Mesh / Fiber Plane, Pleated (Single layer, Multiple layers)
Weave	Plain, Square, Twill, Twill Dutch, Metal Fiber
Micron Rating	2, 3, 4, 5, 10, 15, 20, 25, 40, 70, 100, 150, 200, 250, 300, 350, 400, 450, 500 ~ 1000 μm
Gasket/O-ring	Silicone, EPDM, Viton, Teflon encapsulated Viton
Core	SUS304, SUS316, SUS316L
Filter Support	SUS304, SUS316, SUS316L
End Cap	SUS304, SUS316, SUS316L

Operation Data

Maximum Operating Temperature : 677°C (1250°F) (Base on selection of O-ring material)
 Maximum Differential Pressure : 7 bar at 25°C (100 psi at 77°F)
 Recommended Change Out Differential Pressure : 3.8 bar (57 psi)

Ordering Information

Type	Series	Micron Rating	Filter Media	Dimensions
SF Stainless Steel Filter Cartridge	HP-Pleated	2 – 2 μm	4 - SUS304 6 - SUS316 7 - SUS316L	Customized Sizes on Requests
	PL-Plane	3 – 3 μm		
	DS-Disc	4 – 4 μm		
	FW-Framework	5 – 5 μm		
	Other Customized Styles	1000 – 1000 μm		
SF Stainless Steel Filter Cartridge	HP Pleated	5 5 μm	4 SUS304	



Sintered Metal Filter Cartridges

Grace Sintered Metal Filter Cartridges are made of stainless steel powders and produced by processes of high temperature diffusion and sintering press. With advantages of high strength, rigid construction and uniform permeability, sinter metal cartridges are widely used in industrial applications requiring high temperature, corrosive resistance and high removal efficiency. Grace supplies standard sinter cylindrical cartridges but also customized products to meet different demands.

Applications

CPF, CPL, Process Gases, Petrochemical, Strong Acid & Alkali, Separation, Silencing, Optoelectronics, Food & Beverages, PCB, High Viscosity Process, Polymer Filtration

Specifications

Filter Media	SUS304, SUS316, SUS316L
Micron Rating	0.5, 1, 3, 5, 7, 10, 15, 20, 30, 40, 50, 80, 100, 150, 200 μm
Dimensions	Customized sizes on requests

Operation Data

Maximum Operating Temperature : 677°C (1250°F) (Base on selection of O-ring material)

Maximum Differential Pressure : 7 bar at 25°C (100 psi at 77°F)

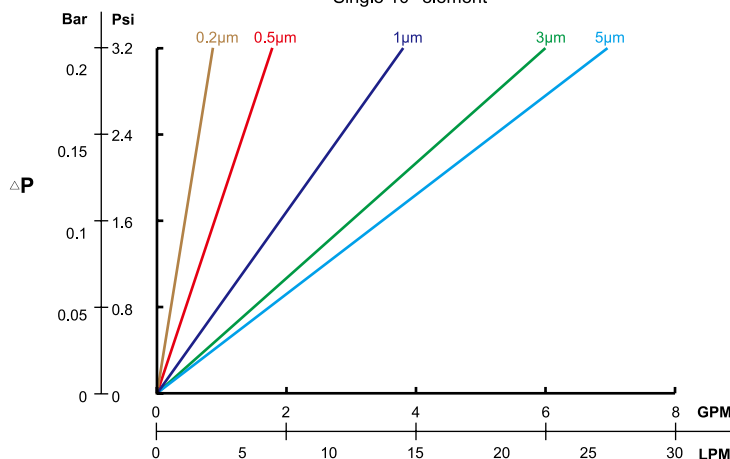
Recommended Change Out Differential Pressure : 3.8 bar (57 psi)

Ordering Information

Type	Series	Micron Rating	Filter Media	Dimensions
SM Stainless Steel Filter Cartridge	(blank) -Cylindrical	05 – 0.5 μm	4 - SUS304 6 - SUS316 7 - SUS316L	Customized Sizes on Requests
	SW -Spiral	1 – 1 μm		
	SL -Plate	3 – 3 μm		
	S -Other			
	Other Customized Styles	200 – 200 μm		
SM Stainless Steel Filter Cartridge		3 3 μm	6 SUS316	

Sintered Metal Filter Cartridge

Single 10" element



Liquid Filter Bags and Special Filter Bags



Grace supplies filter bags in various materials which come in a wide assortment of collars and top rings that ensure general compatibility with most commercial bag filter housings in the market. Manufactured by computer-aided processes of seam welding and fiber-free finish, Grace's filter bags exhibit high filtration performance and extended life time without media migration or bypass. Customized bag filters are also available to meet different requests in various applications.

Applications

Electronics, Food & Beverage, Petrochemical Process, Chemicals, Paints & Coatings, Pre RO, Waste Water Treatment, Oil Refinery

Specifications

Filter Media	Polypropylene Felt, Polyester Felt, Nomex Felt, PTFE Felt, Nylon Multifilament, Polypropylene Mesh, Polyester Mesh, Nylon Mesh
Micron Rating	0.5, 1, 5, 10, 25, 50, 75, 100, 150, 200, 250, 300, 500, 800, 1000 μm
Top Ring Styles	FSI, Hayward, X100, SUS Snap Ring, other customized styles
Top Ring Materials	Polypropylene, Polyester, Nylon, Metal, SUS
Seam	Welded, Sewn
Size	Size 1 : $\text{Ø}7'' \times 16.5''$ 2.3ft ² : 90 GPM Size 2 : $\text{Ø}7'' \times 32''$ 4.7ft ² : 200 GPM Size 3 : $\text{Ø}4'' \times 9''$ 0.7ft ² : 25 GPM Size 4 : $\text{Ø}4'' \times 15''$ 1.2ft ² : 45 GPM Other customized sizes on requests

Operation Data

Filter Media	Polyester	Polypropylene	Nylon	Nomex	PTFE
Abrasion & Flex	Good	Good	Excellent	Good	Poor
Weak Acid	Good	Excellent	Fair	Fair	Excellent
Strong Acid	Good	Excellent	Poor	Poor	Excellent
Weak Alkali	Good	Excellent	Excellent	Excellent	Excellent
Strong Alkali	Poor	Excellent	Excellent	Excellent	Excellent
Solvents	Good	Fair	Good	Good	Excellent
Maximum Operating Temperature	160°C(320°F)	70°C(160°F)	150°C(300°F)	230°C(450°F)	260°C(500°F)

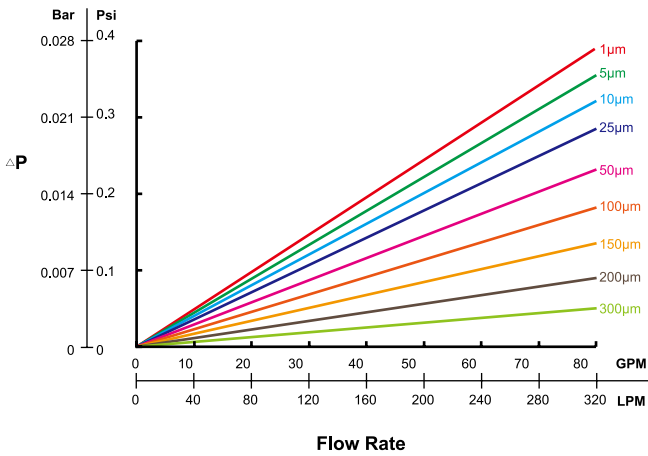
Maximum Differential Pressure : 1.8 bar (26.1 psi)
 Recommended Change Out Differential Pressure : 1.03 bar (15 psi)

Liquid Filter Bags and Special Filter Bags

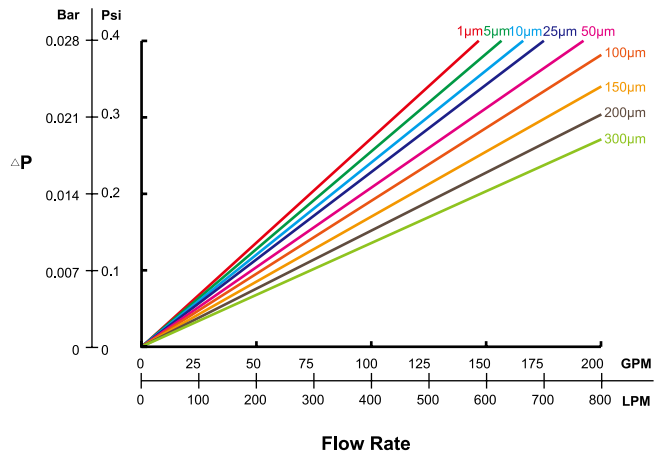
Ordering Information

Type	Top Ring Style	Micron Rating	Filter Media	Option
B1 -Size 1 Filter Bag	FP – PP FSI Top Ring	05 – 0.5µm	P -Polypropylene Felt E -Polyester Felt T -PTFE Felt X -Nomex Felt PM -Polypropylene Mesh EM -Polyester Mesh NY -Nylon Multifilament Felt NM -Nylon Mesh	W - Welded D - Double Layers 3L - 3 Layers Other Customized Types
B2 -Size 2 Filter Bag	FN – Nylon FSI Top Ring	1 – 1µm		
B3 -Size 3 Filter Bag	GN – Nylon Hayward Top Ring	5 – 5µm		
B4 -Size 4 Filter Bag	GP – PP Hayward Top Ring	10 – 10µm		
	FE – PE FSI Top Ring	20 – 20µm		
	GE – PE Hayward Top Ring	30 – 30µm		
	DD – Steel Snap Ring	50 – 50µm		
	44 – SUS304 Top Ring	75 – 75µm		
		100 – 100µm		
		150 – 150µm		
		200 – 200µm		
		250 – 250µm		
		300 – 300µm		
		400 – 400µm		
		500 – 500µm		
		600 – 600µm		
		800 – 800µm		
		1000 – 1000µm		
		M25 – 25mesh		
		M50 – 50mesh		
		M500 –500mesh		
BG -Other Customized Type	XP – PP X100 Top ring YP – PP Ø20cm Top ring Other Customized Styles			
B1 Size 1 Filter Bag	FP PP FSI Top Ring	50 50µm	P Polypropylene Felt	WD Welded-Double Layers

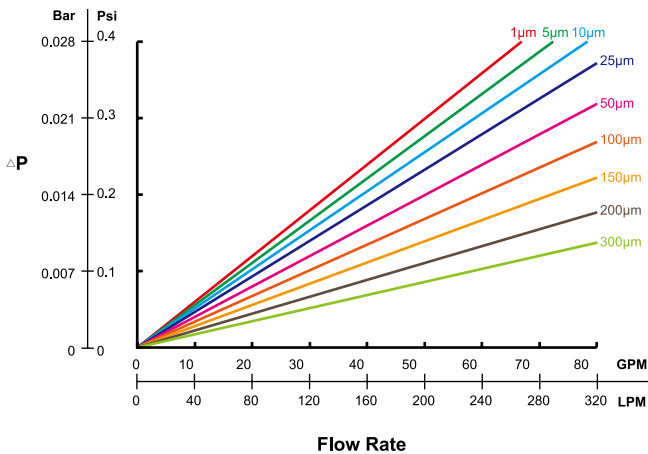
Size 1 Filter Bag



Size 2 Filter Bag



Size 4 Filter Bag





Compressed Air Filter Elements

Grace offers a wide range of compressed air filters for removal of dirt, dust, rust, condensates, moisture contents, oil impurities and exhaust fumes. Filtered compressed air results low down time and reduces production loss. These compressed air filters are made of selected fiber media and designed on bases of flow requirement, line size, working pressure, working temperature and different filtration ratings, ensuring desired anticipated filtration level and system performance.

Grace offers various compressed air filters which are compatible with globally well-known brands. Herein you can choose any kind of air filters to meet different requirements.

Compatible Replacements of SMC



Grade	AFF Main Line Filter		AMF Odor Removal Filter		AM Mist Separator		AME Super Mist Separator		AMD Micro Mist Separator	
Filter Media	Pleated Cellulose		Activated Carbon		Pleated Borosilicate		Pleated Borosilicate		Pleated Borosilicate	
Micron Rating	3µm		0.01µm		0.3µm		0.01µm		0.01µm	
Oil Residual Content	N/A		0.004mg/m ³		1mg/m ³		0.01mg/m ³		0.1mg/m ³	
Maximum Operating Temperature	120°C(248°F)		35°C(95°F)		120°C(248°F)		120°C(248°F)		120°C(248°F)	
Element Size Flow Rates Nm ³ /min	Element	Flow Rate	Element	Flow Rate	Element	Flow Rate	Element	Flow Rate	Element	Flow Rate
	4C	0.75	250C	0.5	250C	0.75	250C	0.5	250C	0.5
	8C	1.5	350C	1.0	350C	1.5	350C	1.0	350C	1.0
	22C	3.5	550C	3.5	550C	3.5	550C	3.5	550C	3.5
	37B	6.0	650	6.0	650	6.0	650	6.0	650	6.0
	75 B	12.0	850	12.0	850	12.0	850	12.0	850	12.0
O-ring	Buna-N, Viton									
Filter Support	SUS304									
End Cap	Aluminum									

Compatible Replacements of Ultrafilter(Donaldson)



Element Size	Flow Rate Nm ³ /min
0205	0.16
0305	0.5
0310	1.0
0410	1.5
0420	2.0
0520	3.0
0525	4.5
0725	6.0
0530	7.0
0730	8.0
1030	12.0
1530	18.0
2030	24.0
3030	32.0
3050	45.0

Grade	SB	FF	MF	SMF	AK
Filter Media	Sinter Porous Bronze	Pleated Borosilicate	Pleated Borosilicate	Pleated Borosilicate	Activated Carbon
Micron Rating	5, 25, 50 μm	0.01μm	0.01μm	0.01μm	0.01μm
Oil Residual Content	N/A	0.01mg/m ³	0.03mg/m ³	0.01mg/m ³	0.003mg/m ³
Maximum Operating Temperature	120°C(248°F)	120°C(248°F)	120°C(248°F)	120°C(248°F)	120°C(248°F)
O-ring	Buna-N, Viton				
Filter Support	SUS304				
End Cap	Aluminum				

Compatible Replacements of Zander(Parker)



Element Size	Flow Rate Nm ³ /min
1030	0.5
1050	0.85
1070	1.2
1140	1.7
2010	3.0
2020	5.0
2030	7.8
2050	11.7
3050	16.0
3075	24.0

Grade	V	Z	X	A
Filter Media	Pleated Cellulose	Pleated Borosilicate	Pleated Borosilicate	Activated Carbon
Micron Rating	3μm	1μm	0.01μm	N/A
Oil Residual Content	5mg/m ³	0.5mg/m ³	0.01mg/m ³	0.003mg/m ³
Maximum Operating Temperature	120°C(248°F)	120°C(248°F)	120°C(248°F)	35°C(95°F)
O-ring	Buna-N, Viton			
Filter Support	SUS304			
End Cap	Aluminum			

Compatible Replacements of Domnick Hunter(Parker)



Element Size	Flow Rate Nm ³ /min
K009	0.5
K017	1.0
K030	3.6
K058	4.8
K145	8.7
K220	13.2
K330	20.0
K430	24.0
K620	40.0

Grade	PF Coarse Prefilter	AO, AR Dust Filter	AA, AX, AAR High Efficiency Filter	ACS Vapor Removal Filter
Filter Media	Pleated Cellulose	Pleated Borosilicate	Pleated Borosilicate	Activated Carbon
Micron Rating	25µm	1µm	0.01µm	N/A
Oil Residual Content	N/A	0.5mg/m ³	0.01mg/m ³	0.003mg/m ³
Maximum Operating Temperature	120°C(248°F)	120°C(248°F)	120°C(248°F)	35°C(95°F)
O-ring	Buna-N, Viton			
Filter Support	SUS304			
End Cap	Aluminum			

Compatible Replacements of Hiross(Parker)



Element Size	Flow Rate Nm ³ /min
004	0.4
007	0.7
009	1.0
015	1.5
024	2.4
035	3.5
060	6.0
090	9.0
120	12.0
150	15.0
240	24.0

Grade	Q	P	S	C
Filter Media	Pleated Cellulose	Pleated Borosilicate	Pleated Borosilicate	Activated Carbon
Micron Rating	25µm	1µm	0.01µm	N/A
Oil Residual Content	N/A	0.5mg/m ³	0.01mg/m ³	0.003mg/m ³
Maximum Operating Temperature	120°C(248°F)	120°C(248°F)	120°C(248°F)	35°C(95°F)
O-ring	Buna-N, Viton			
Filter Support	SUS304			
End Cap	Aluminum			

Compatible Replacements of Parker Finite



Element Size	Flow Rate Nm ³ /min
10-25	0.4
10-50	1.4
15-60	2.8
15-95	4.0
20-130	6.0
25-130	7.0
25-187	12.0
25-235	17.0
25-280	20.0
35-280	28.0
51-280	40.0
85-280	56.0
85-360	80.0

Grade	C, QU Coalescer	P Particulate Removal Filter	AU Vapor Removal Filter
Filter Media	Pleated Borosilicate	Pleated Cellulose	Activated Carbon
Micron Rating	1µm	3µm	N/A
Oil Residual Content	1mg/m ³	N/A	0.003mg/m ³
Maximum Operating Temperature	120°C(248°F)	120°C(248°F)	35°C(95°F)
O-ring	Buna-N, Viton		
Filter Support	SUS304		
End Cap	Aluminum		

Compatible Replacements of BEA



Element Size	Flow Rate Nm ³ /min
ARS-30	0.5
ARS-100	1.7
ARS-180	3.0
ARS-290	4.8
ARS-460	7.7
ARS-610	10.2
ARS-930	15.5
ARS-1050	17.5
ARS-1400	23.3

Grade	RB	RA	RF	CA
Filter Media	Pleated Cellulose	Pleated Cellulose	Pleated Borosilicate	Activated Carbon
Micron Rating	1µm	0.01µm	1µm	N/A
Oil Residual Content	0.1mg/m ³	0.01mg/m ³	N/A	0.003mg/m ³
Maximum Operating Temperature	120°C(248°F)	120°C(248°F)	120°C(248°F)	35°C(95°F)
O-ring	Buna-N, Viton			
Filter Support	SUS304			
End Cap	Aluminum			

Compatible Replacements of Hankison



Element Size	Flow Rate Nm ³ /min
E-12	0.57
E-16	1.0
E-20	1.72
E-24	2.9
E-28	4.9
E-32	7.2
E-36	11.0
E-40	11.4
E-44	18.0
E-48	22.0

Grade	9 Separator	7 General Air Line Filter	5 Oil Removal Filter	3 High Efficiency Oil Removal Filter	1 Oil Vapor Removal Filter
Filter Media	Pleated Cellulose	Pleated Borosilicate	Pleated Borosilicate	Pleated Borosilicate	Activated Carbon
Micron Rating	3µm	1µm	0.01µm	0.01µm	N/A
Oil Residual Content	5mg/m ³	1mg/m ³	0.01mg/m ³	0.001mg/m ³	0.003mg/m ³
Maximum Operating Temperature	120°C(248°F)	120°C(248°F)	120°C(248°F)	120°C(248°F)	35°C(95°F)
O-ring	Buna-N, Viton				
Filter Support	SUS304				
End Cap	Aluminum				

Air Filters



Grace offers a broad line of air filters for commercial and industrial indoor air systems to meet different requirements of clean air. Our service of replacement air filters covers from disposable panel filters, pleated filters to high efficiency extended surface filters and HEPA, ULPA products. The wide variety of filters at Grace provides satisfactory alternatives for better indoor air quality with lower cost.

Applications

Power Plants, Hospitals, Office Buildings, Clean Rooms, Industrial Plants, Pharmaceutical Facilities

Specifications

Filter Media	Glass Fiber, Synthetic Fiber, Activated Carbon Media, Polyester Non-woven Media		
Filtration Efficiency	Arrestance (ASHERAE 52.1)	Dust-Spot	Filter Type
	60%~80%	<20%	Disposable Panel Filter, Metal Filter, Glass Fiber Filter, Synthetic Fiber Filter, Foam Filter
	80%~95%	20%~30%	Disposable Panel Filter, Pleated Panel Filter, Synthetic Fiber Filter
	95%~98%	40%~75%	Pleated Panel Filter, Pocket Filter, Rigid Cell Filter
	98%~99%	80%~95%	Pocket Filter, Rigid Cell Filter
	N/A	99.97% 99.99% 99.999%	HEPA Filter, ULPA Filter
Frame Material	Cardboard, Galvanized Steel, Plywood, Aluminum, SUS304, Plastic		

Ordering Information

Type	Series	Efficiency		Frame Material	Dimensions(inch)		
		Arrestance (ASHERAE 52.1)	Dust-Spot		(H)	(W)	(T)
AF Air Filter	PF - Pre-filter	35 - 35% 45 - 45% 55 - 55% 65 - 65% 85 - 85% 95 - 95%	95E - Semi-HEPA 95% 397 - HEPA 99.997% 49 - HEPA 99.99% 59 - HEPA 99.999% 595 - ULPA 99.9995% 695 - ULPA 99.99995% 795 - ULPA 99.999995%	J - Cardboard M- Plywood D - Galvanized Steel 4 - SUS304 6 - SUS316 U - Aluminum	12- 12"	12- 12"	01- 1"
	#B - Pocket Filter						
	MI - Mini-pleat						
	SR - Separator Filter						
	DP - Disposable Filter						
	RM - Side Replaceable Ceiling Module						
	#V - V-Bank Filter						
	AU - All Aluminum						
	A4 - All SUS304						
	AF						
Air Filter	3-Pocket Filter	65%	Galvanized Steel	H 12"xW 24"xT 1"			

Stainless Steel Single Cartridge Clamp Filter Housings



Grace Stainless Steel Single Cartridge Clamp Filter Housings are designed with T-bar clamp closure, creating easy operation and quick cartridge change out. The clamp closure provides better sealing and enables the housings to withstand higher operating pressure. Completely constructed by SUS304 and SUS316, the housings accept cartridge sizes in 10", 20" and 30" with various end cap styles, and therefore become ideal choices for applications requiring high temperature and wide chemical compatibility.

- Ⓞ **Applicable for high temperature and special chemical which are not suitable for plastic housings.**
- Ⓞ **All parts are completely made by SS304 and SS316 with excellent anti-corrosion ability.**
- Ⓞ **Standard female PT, BSP and tapping NPT threads make connection easy and fit.**
- Ⓞ **T-bar clamp provides better closure and enables higher operating pressure withstanding.**
- Ⓞ **Units are all supplied with pipe plugs in the bottom for draining.**
- Ⓞ **The housings accept Cartridge sizes in length 10", 20", 30" with end cap styles in DOE, 222 and 226 Flat/Fin.**

Applications

Pre RO, Household Water Filtration, Chemicals, Laboratory Facilities, Electronics, Food & Beverage, In-line Liquid Processes

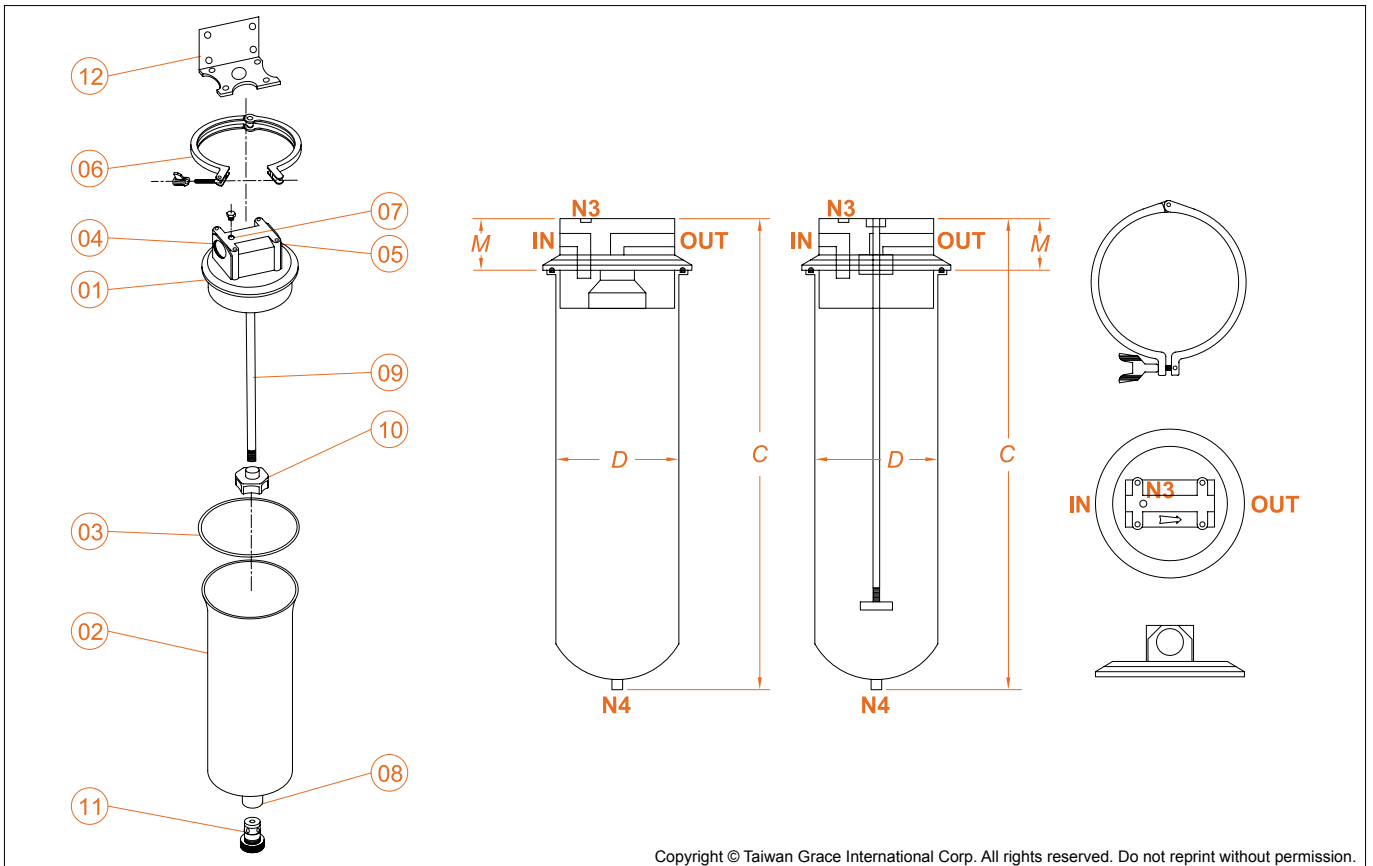
Operation Data

Maximum Operating Temperature : 75°C (167°F) (Base on selection of filter element and O-ring material.)
Maximum Operating Pressure : 7 bar at 75°C (100 psi at 167°F)

Ordering Information

Type	Cartridge Length	Material of Construction	Number of Cartridge	Connection	Inlet/Outlet Size (inch)	O-ring Option	Cartridge End Cap	Option
UFC Cartridge Filter Housing	05 – 5"	4 - SUS304 6 - SUS316	1 - 1 pce	N - NPTF P - PTF B - BSPF	06-3/4" 10-1"	E-EPDM S-Silicone V-Viton W -Teflon encapsulated Viton	0:Flat Gasket Double Open End	V-Drain with Plug
	10 – 10"						7:No Bayonets 2-226 O-ring Fin/Flat	
	20 – 20"						8:2-222 O-ring with Fin/Flat	
	30 – 30"						9: 2-226 O-ring with Fin/Flat	
UFC Cartridge Filter Housing	10	6	1	N	06	E	8	V
Cartridge Filter Housing	10"	SUS316	1 pce	NPTF	3/4"	EPDM O-ring	2-222 O-ring with Fin/Flat	Drain with Plug

Stainless Steel Single Cartridge Clamp Filter Housings



Components

No.	Description	Qty	No.	Description	Qty
01	Cap	1	07	Vent	1
02	Shell	1	08	Drain	1
03	O-ring	1	09	Screw Stay	1
04	Port(Inlet)	1	10	Screwed Nut	1
05	Port(Outlet)	1	11	Drain Plug	1
06	Clamp	1	12	Mounting Bracker	1

Dimensions

Model	C	ØD	M	N3 N4	Flow Rate	G. Weight
UFC10 1	400	106	52	1/4"	0 ~ 5 GPM / 0 ~ 1.1 m ³ /hr	4kg
UFC20 1	650	106	52	1/4"	0 ~10 GPM / 0 ~ 2.3 m ³ /hr	5.5kg
UFC30 1	900	106	52	1/4"	0 ~15 GPM / 0 ~ 3.4 m ³ /hr	7kg

UNIT : mm

Customized housings are available on requests.

Actual flow rates will be determined on element selection and fluid viscosity.

Stainless Steel Single Cartridge Filter Housings



Grace Stainless Steel Single Cartridge Filter Housings are manufactured by SUS304 and SUS316, featuring wide chemical compatibility and high temperature endurance. With the advantage of durability, the housings are particularly recommended for processes requiring high temperature which are not accepted by plastic filter housings. Available in standard and big sizes for different lengths of filter cartridges, the housings offer economic and efficient alternatives for general water filtration.

- ⊗ **Applicable for high temperature and special chemical which are not suitable for plastic housings.**
- ⊗ **All parts are completely made by SUS304 or SUS316 with excellent anti-corrosion ability.**
- ⊗ **Standard PT, BSP and tapping NPT threads make connection fit and easy.**
- ⊗ **Retainer ring closure make quick and easy. Units are shipped with SUS mounting bracket and wrench.**
- ⊗ **Housings are supplied with or without pipe plugs in the bottom for draining.**
- ⊗ **The filter housings accept cartridge sizes in length 5", 10", 20", 30" and 40" with double open ends in standard or big sizes.**

Applications

Pre RO, Household Water Filtration, Chemicals, Laboratory Facilities, Electronics, Food & Beverage, In-line Liquid Processes

Operation Data

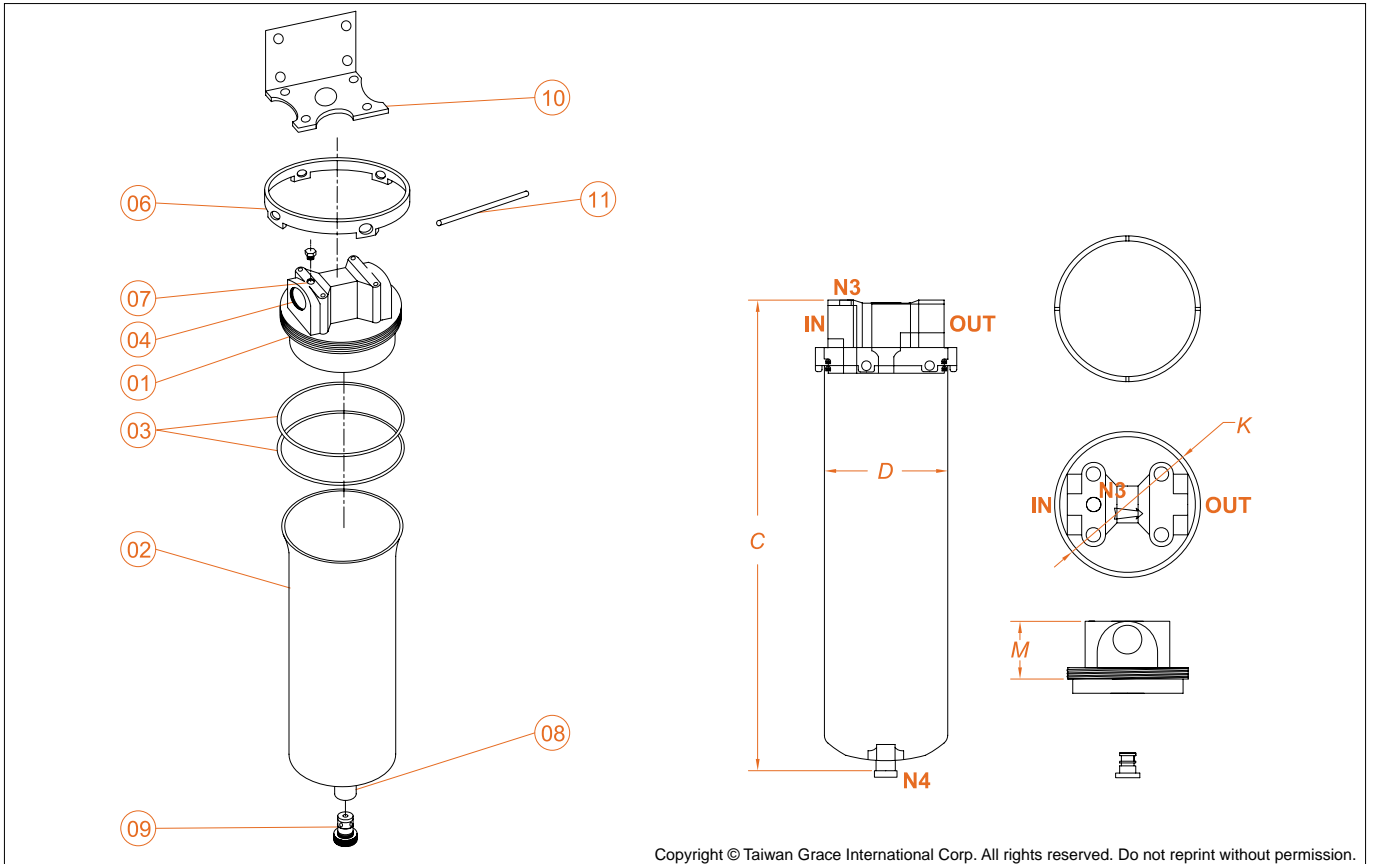
Maximum Operating Temperature : 75°C (167°F) (Base on selection of filter element and O-ring material.)

Maximum Operating Pressure : 5 bar at 75°C (72 psi at 167°F)

Ordering Information

Type	Cartridge Length	Cartridge Size	Material of Construction	Number of Cartridge	Connection	Inlet/Outlet Size (inch)	O-ring Option	Cartridge End Cap	Option
UFC Cartridge Filter Housing	05 – 5"	(blank) Standard B - Big	4 - SUS304 6 - SUS316	1 - 1 pce.	N - NPTF	04-1/2"	E-EPDM	(blank)- Flat Gasket Double Open Ends	V-Drain with Plug
	10 – 10"				P - PTF	06-3/4"	S-Silicone		N-Flat Bottom
	20 – 20"				B - BSPF	10-1"	V-Viton		P-All Polish
	30 – 30"								
40 – 40"									
UFC Cartridge Filter Housing	10		6	1	N	06	E		V
Cartridge Filter Housing	10"		SUS316	1 pce	NPTF	3/4"	EPDM O-ring		Drain with Pipe Plug

Stainless Steel Single Cartridge Filter Housings



Copyright © Taiwan Grace International Corp. All rights reserved. Do not reprint without permission.

Components

No.	Description	Qty	No.	Description	Qty
01	Cap	1	07	Vent	1
02	Shell	1	08	Drain	1
03	O-ring	1	09	Drain Plug	1
04	Port(Inlet)	1	10	Mounting Bracket	1
05	Port(Outlet)	1	11	Wrench	1
06	Retainer Ring	1			

Dimensions

Model	C	ØD	ØK	M	N3	N4	Flow Rate
UFC05 1	223	89	106	55	M6	M14	(Standard) 0 ~2.5 GPM / 0 ~ 0.6 m ³ /hr
UFC10 1	348	89	106	55	M6	M14	(Standard) 0 ~ 5 GPM / 0 ~ 1.1 m ³ /hr (Big) 0 ~10 GPM / 0 ~ 2.3 m ³ /hr
UFC20 1	602	89	106	55	M6	M14	(Standard) 0 ~10 GPM / 0 ~ 2.3 m ³ /hr (Big) 0 ~20 GPM / 0 ~ 4.5 m ³ /hr
UFC30 1	856	89	106	55	M6	M14	(Standard) 0 ~15 GPM / 0 ~ 3.4 m ³ /hr
UFC40 1	1110	89	106	55	M6	M14	(Standard) 0 ~20 GPM / 0 ~ 4.5 m ³ /hr

UNIT : mm

Customized housings are available on requests.

Actual flow rates will be determined on element selection and fluid viscosity.

Stainless Steel Cartridge Filter Housings



Grace Stainless Steel Cartridge Filter Housings are CE registered products which are manufactured by high quality workmanship. Clamp closure makes element change out quick and easy while ensuring good sealing performance. The housings accommodate different end cap styles of filter cartridges in either DOE or SOE, providing economic and efficient alternatives of filtration processes.



Applications

Pre RO, Household Water Filtration, Chemicals, Electronics, Food & Beverage, Cooling Water Filtration

Operation Data

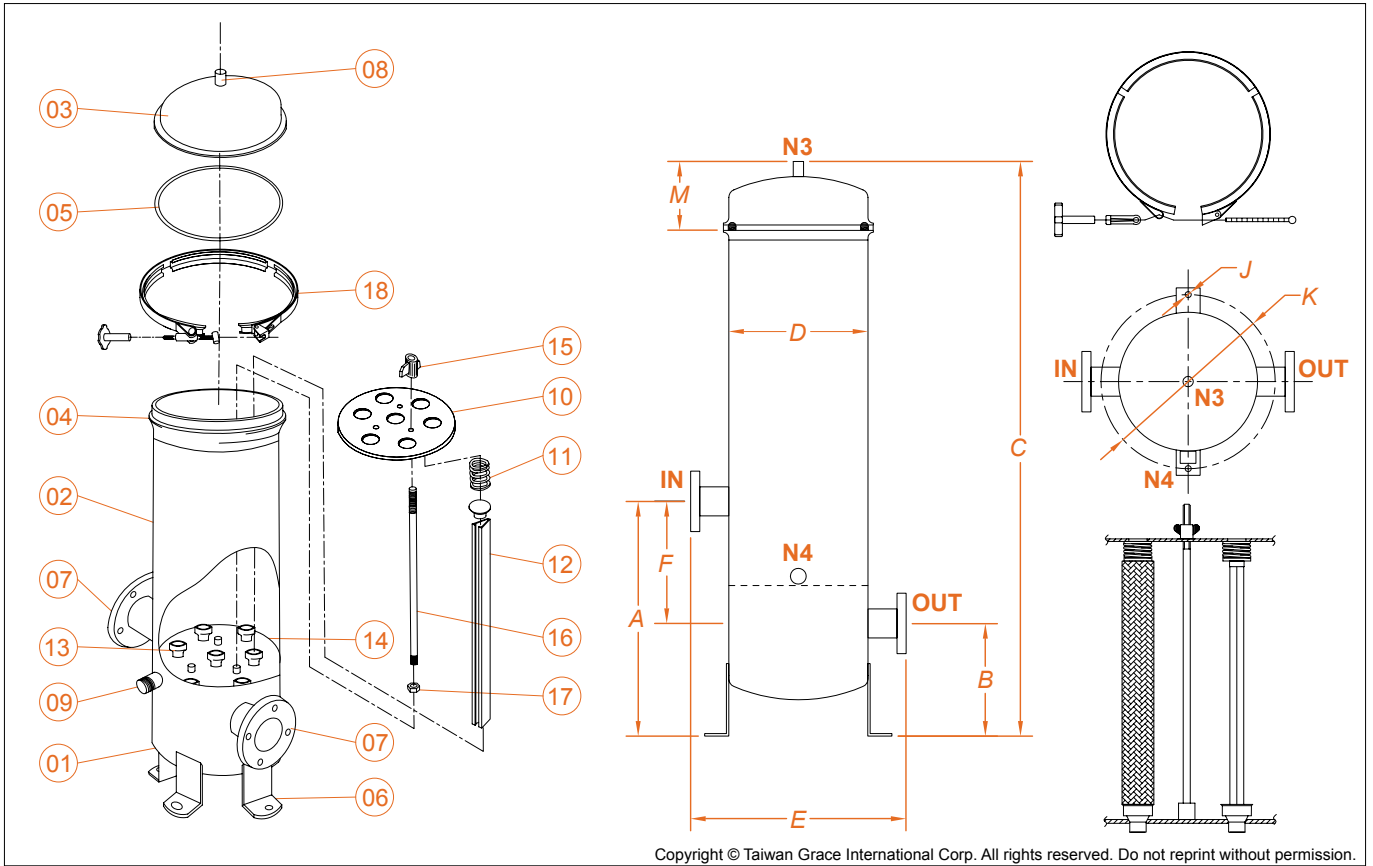
Maximum Operating Temperature : 75°C (167°F) (Base on selection of filter element and O-ring material.)

Maximum Operating Pressure : 7 bar at 75°C (100 psi at 167°F)

Ordering Information

Type	Cartridge Length	Material of Construction	Number of Cartridges	Connection	Inlet/Outlet Size (inch)	O-ring Option	Cartridge End Cap	Option
UFC Cartridge Filter Housing	10 - 10"	4 - SUS304	3-3pcs	P-PTF	10-1"	E -EPDM V -Viton W -Teflon encapsulated Viton	(blank)	P -All Polish IP -Inside Polish OP -Outside Polish A -Polymer Coating Q -Painting
	20 - 20"	6 - SUS316	4-4pcs	N-NPTF	15-1.5"		Flat Gasket	
	30 - 30"	7 - SUS316L	5-5pcs	B-BSPF	20-2"		Double Open Ends & 2-222 O-ring	
	40 - 40"		7-7pcs	J -JIS Flange	25-2.5"		Fin/Flat	
				A -ANSI Flange	30-3"		7	
			D -DIN Flange	40-4"	No Bayonet 2-226 O-ring			
			C -Sanitary Clamp		Fin/Flat			
							9	
							2-226 O-ring	
							Fin/Flat	
UFC Cartridge Filter Housing	20"	SUS316	4 pcs	NPTF	2"	EPDM O-ring		

Stainless Steel Cartridge Filter Housings



Components

No.	Description	Qty	No.	Description	Qty
01	End Plate	1	10	Cartridge Squeeze Plate	1
02	Shell	1	11	Spring	3~7
03	Top Cover	1	12	Cartridge Aligning Rod	3~7
04	Flange	1	13	Cartridge Bowl	3~7
05	O-ring	1	14	Cartridge Support Plate	1
06	Mounting Leg	4	15	Nut	1, 3
07	Port (Inlet / Outlet)	2	16	Screw Stay	1, 3
08	Vent	1	17	Round Nut	1, 3
09	Drain	1	18	Clamp	1

Dimensions

Model	A	B	C	ØD	E	F	ØJ	ØK	M	N3	N4	Flow Rate	G. Weight	Volume
UFC10 3/4	280	120	625	180	300	160	9	236	85	1/4"	3/4"	0 ~ 15 GPM / 0 ~ 3 m ³ /hr	15kg	14L
UFC20 3/4	280	120	890	180	300	160	9	236	85	1/4"	3/4"	0 ~ 30 GPM / 0 ~ 6 m ³ /hr	18kg	21L
UFC30 3/4	280	120	1145	180	300	160	9	236	85	1/4"	3/4"	0 ~ 45 GPM / 0 ~ 9 m ³ /hr	20kg	28L
UFC10 5/7	280	120	625	232	352	160	9	288	85	1/4"	3/4"	0 ~ 35 GPM / 0 ~ 7 m ³ /hr	21kg	23L
UFC20 5/7	280	120	890	232	352	160	9	288	85	1/4"	3/4"	0 ~ 70 GPM / 0 ~ 14 m ³ /hr	25kg	34L
UFC30 5/7	280	120	1145	232	352	160	9	288	85	1/4"	3/4"	0 ~ 105 GPM / 0 ~ 21 m ³ /hr	28kg	45L
UFC40 5/7	280	120	1400	232	352	160	9	288	85	1/4"	3/4"	0 ~ 140 GPM / 0 ~ 28 m ³ /hr	31kg	55L

UNIT : mm

Customized housings are available on requests.

Actual flow rates will be determined on element selection and fluid viscosity.

Stainless Steel High Pressure Cartridge Filter Housings

Grace Stainless Steel High Pressure Cartridge Filter Housings are suitable for a wide variety of filtration applications requiring high temperature and operating pressure. The CE registered products are designed with swing bolts closure and hinged covers, making element change out quick and easy. Manufactured by high quality workmanship, the housings accept different end cap styles of filter cartridges in either DOE or SOE, providing economic alternatives of filtration processes.



Applications

Pre RO, Household Water Filtration, Chemicals, Electronics, Food & Beverage, Cooling Water Filtration

Operation Data

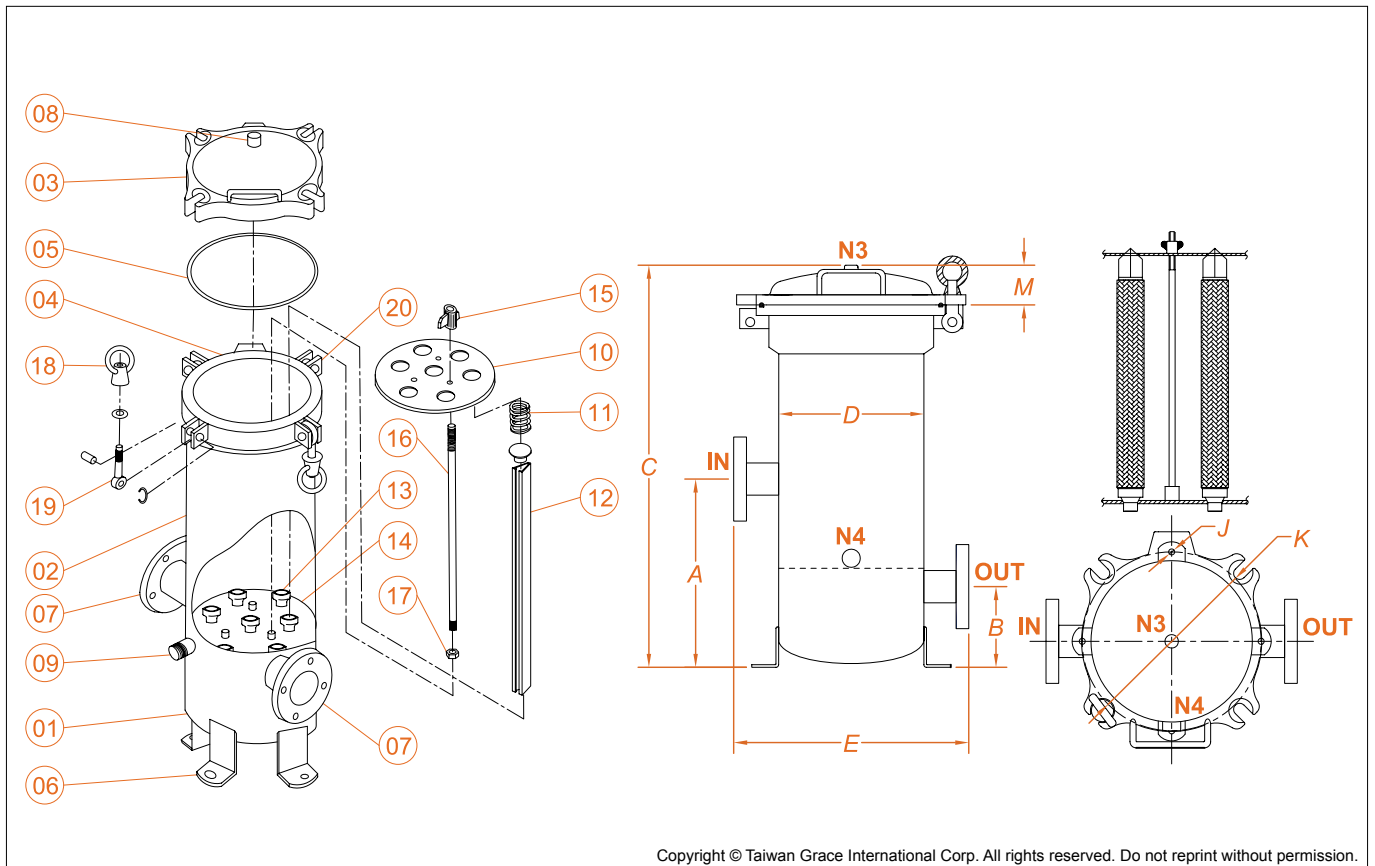
Maximum Operating Temperature : 75°C (167°F) (Base on selection of filter element and O-ring material.)

Maximum Operating Pressure : 10 bar at 75°C (150 psi at 167°F)

Ordering Information

Type	Cartridge Length	Material of Construction	Number of Cartridges	Connection	Inlet/Outlet Size (inch)	O-ring Option	Cartridge End Cap	Option
UFCG High Pressure Cartridge Filter Housing	10 - 10"	4 - SUS304 6 - SUS316 7 - SUS316L	3-3pcs	P-PTF	10-1"	E -EPDM V -Viton W -Teflon encapsulated Viton	(blank)	P -All Polish IP -Inside Polish OP -Outside Polish A -Polymer Coating Q -Painting
	20 - 20"		4-4pcs	N-NPTF	15-1.5"		2-222 O-ring	
	30 - 30"		5-5pcs	B-BSPF	20-2"		Fin/Flat	
	40 - 40"		7-7pcs	J -JIS Flange	25-1.5"		7	
			8-8pcs	A -ANSI Flange	30-3"		No Bayonet	
	12-12pcs	D -DIN Flange	40-4"	2-226 O-ring	Fin/Flat	9		
		C -Sanitary Clamp						
UFCG High Pressure Cartridge Filter Housing	20"	SUS316	4 pcs	NPTF	2"	EPDM O-ring		

Stainless Steel High Pressure Cartridge Filter Housings



Copyright © Taiwan Grace International Corp. All rights reserved. Do not reprint without permission.

Components

No.	Description	Qty	No.	Description	Qty
01	End Plate	1	12	Cartridge Aligning Rod	3~7
02	Shell	1	13	Cartridge Bowl	3~7
03	Top Cover of Bowl	1	14	Cartridge Support Plate	1
04	Flange	1	15	Nut	1, 3
05	O-ring	1	16	Screw Stay	1, 3
06	Leg Support	4	17	Round Nut	1, 3
07	Port (Inlet / Outlet)	2	18	Eye Nut	4
08	Vent	1	19	Eye Bolt	4
09	Drain	1	20	Eye Bolt Socket	4
10	Cartridge Squeeze Plate	1	21	Handle	1
11	Spring	3~7			

Dimensions

Model	A	B	C	ØD	E	ØJ	ØK	M	N3	N4	Flow Rate	G. Weight	Volume
UFCG10 3/4	280	120	588	181	300	9	236	55	1/4"	3/4"	0 ~ 15 GPM / 0 ~ 3 m ³ /hr	25kg	18L
UFCG20 3/4	280	120	843	181	300	9	236	55	1/4"	3/4"	0 ~ 30 GPM / 0 ~ 6 m ³ /hr	30kg	27L
UFCG30 3/4	280	120	1098	181	300	9	236	55	1/4"	3/4"	0 ~ 45 GPM / 0 ~ 9 m ³ /hr	35kg	36L
UFCG40 3/4	280	120	1353	181	300	9	236	55	1/4"	3/4"	0 ~ 60 GPM / 0 ~ 12 m ³ /hr	40kg	45L
UFCG10 5/7	280	120	598	232	358	9	288	65	1/4"	3/4"	0 ~ 35 GPM / 0 ~ 7 m ³ /hr	30kg	23L
UFCG20 5/7	280	120	853	232	358	9	288	65	1/4"	3/4"	0 ~ 70 GPM / 0 ~ 14 m ³ /hr	35kg	34L
UFCG30 5/7	280	120	1108	232	358	9	288	65	1/4"	3/4"	0 ~ 105 GPM / 0 ~ 21 m ³ /hr	40kg	45L
UFCG40 5/7	280	120	1363	232	358	9	288	65	1/4"	3/4"	0 ~ 140 GPM / 0 ~ 28 m ³ /hr	46kg	55L
UFCG20 8/12	700	350	1228	305	500	14	410	153	1/2"	1"	0 ~ 120 GPM / 0 ~ 27 m ³ /hr	52kg	53L
UFCG30 8/12	700	350	1478	305	500	14	410	153	1/2"	1"	0 ~ 180 GPM / 0 ~ 40 m ³ /hr	77kg	89L
UFCG40 8/12	700	350	1728	305	500	14	410	153	1/2"	1"	0 ~ 240 GPM / 0 ~ 54 m ³ /hr	85kg	107L

UNIT : mm

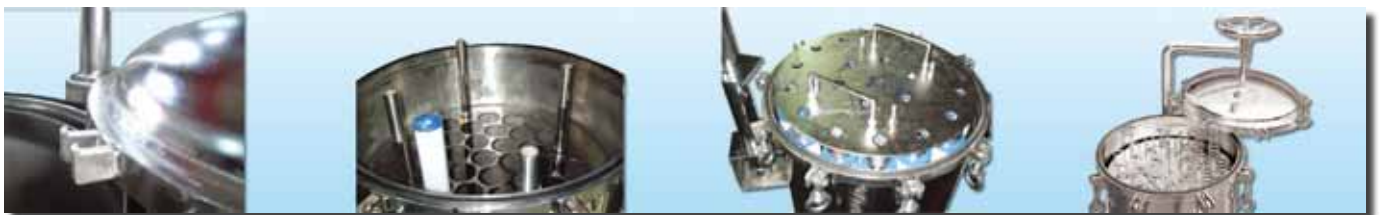
Customized housings are available on requests.

Actual flow rates will be determined on element selection and fluid viscosity.



Stainless Steel High Flow Multi-cartridges Filter Housings

Grace Stainless Steel High Flow Multi-cartridges Filter Housings are designed for processes requiring significant flow rate with capacity from 13 rounds to more than 150 rounds of filter cartridges. The design of davit lifter makes top cover removal and element change out quick, easy and safe. Suitable for a broad range of liquid processes, the CE registered multi-cartridges filter housings accept different cartridge end cap styles in DOE and SOE.



Applications

Pre RO, Household Water Filtration, Chemicals, Electronics, Food & Beverage, Cooling Water Filtration

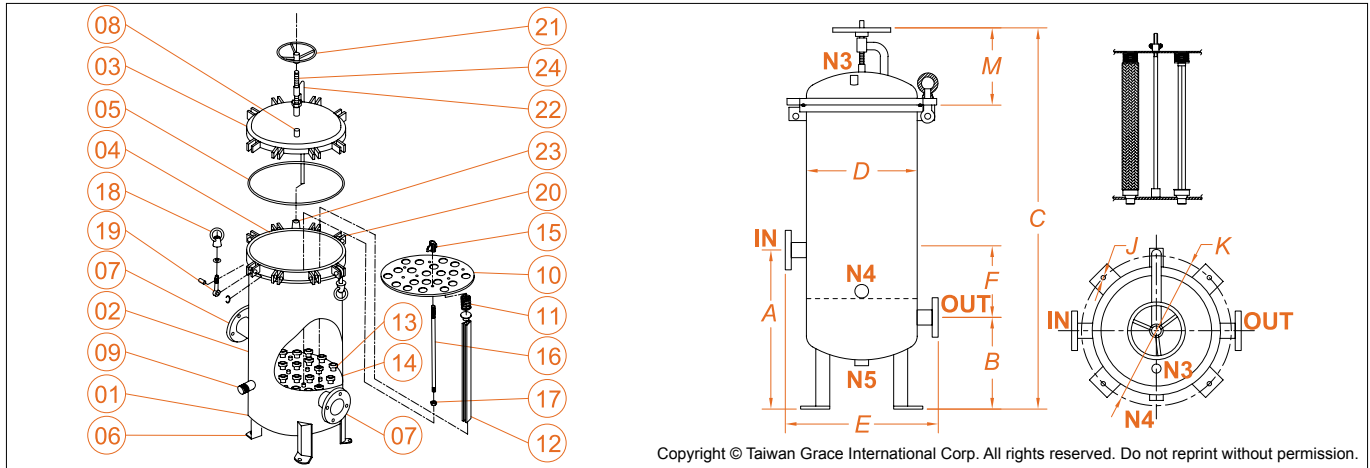
Operation Data

Maximum Operating Temperature : 75°C (167°F) (Base on selection of filter element and O-ring material.)
 Maximum Operating Pressure : 10 bar at 75°C (150 psi at 167°F)

Ordering Information

Type	Cartridge Length	Material of Construction	Number of Cartridges	Connection	Inlet/Outlet Size (inch)	O-ring Option	Cartridge End Cap	Option	
UFC Cartridge Filter Housing	20 - 20" 30 - 30" 40 - 40"	4 - SUS304 6 - SUS316 7 - SUS316L	13-13 pcs	P-PTF N-NPTF B-BSPF J -JIS Flange A -ANSI Flange D -DIN Flange C -Sanitary Clamp	10-1"	E -EPDM V -Viton W -Teflon encapsulated Viton	(blank) Flat Gasket Double Open Ends & 2-222 O-ring Fin/Flat 7 No Bayonet 2-226 O-ring Fin/Flat 9 2-226 O-ring Fin/Flat	P -All Polish IP -Inside Polish OP -Outside Polish A -Polymer Coating Q -Painting	
			14-14 pcs		15-15 pcs				173-173 pcs
			15-15 pcs		173-173 pcs				173-173 pcs
			173-173 pcs		173-173 pcs				173-173 pcs
			173-173 pcs		173-173 pcs				173-173 pcs
UFC Cartridge Filter Housing	30"	SUS316	46 pcs	ANSI Flange	4"	EPDM O-ring			

Stainless Steel High Flow Multi-cartridges Filter Housings



Copyright © Taiwan Grace International Corp. All rights reserved. Do not reprint without permission.

Components

No.	Description	Qty	No.	Description	Qty	No.	Description	Qty
01	End Plate	1	09	Drain	1	17	Round Nut	3~8
02	Shell	1	10	Cartridge Squeeze Plate	1	18	Eye Nut	8~32
03	Top Cover of Bowl	1	11	Spring	13~173	19	Eye Bolt	8~32
04	Flange	1	12	Cartridge Aligning Rod	13~173	20	Eye Bolt Socket	8~32
05	O-ring	1	13	Cartridge Bowl	13~173	21	Turntable	1
06	Leg Support	4	14	Cartridge Support Plate	1	22	Davit Lifter	1
07	Port (Inlet / Outlet)	2	15	Nut	3~8	23	Bearing	1
08	Vent	1	16	Screw Stay	3~8	24	Screw	1

Dimensions

Model	A	B	C	ØD	E	F	ØJ	ØK	M	N3	N4 N5	Flow Rate	G. Weight	Volume
UFC20 13/20	700	350	1450	406	606	350	14	516	380	1/2"	1"	0 ~ 200 GPM / 0 ~ 45 m ³ /hr	85kg	139L
UFC30 13/20	700	350	1700	406	606	350	14	516	380	1/2"	1"	0 ~ 300 GPM / 0 ~ 68 m ³ /hr	105kg	165L
UFC40 13/20	700	350	1950	406	606	350	14	516	380	1/2"	1"	0 ~ 400GPM / 0 ~ 90m ³ /hr	125kg	198L
UFC20 21/28	700	350	1455	486	686	350	14	596	385	1/2"	1"	0 ~ 280GPM / 0 ~ 63m ³ /hr	95kg	189L
UFC30 21/28	700	350	1705	486	686	350	14	596	385	1/2"	1"	0 ~ 420GPM / 0 ~ 95m ³ /hr	120kg	239L
UFC40 21/28	700	350	1955	486	686	350	14	596	385	1/2"	1"	0 ~ 560GPM / 0 ~ 127m ³ /hr	145kg	286L
UFC20 29/36	700	350	1480	560	760	350	14	704	410	1/2"	1"	0 ~ 360GPM / 0 ~ 81m ³ /hr	155kg	260L
UFC30 29/36	700	350	1730	560	760	350	14	704	410	1/2"	1"	0 ~ 540GPM / 0 ~ 122m ³ /hr	190kg	327L
UFC40 29/36	800	400	2040	560	760	400	14	704	410	1/2"	1"	0 ~ 720GPM / 0 ~ 163m ³ /hr	225kg	389L
UFC20 37/46	800	400	1540	600	800	400	14	744	410	1/2"	1"	0 ~ 460GPM / 0 ~ 104m ³ /hr	170kg	302L
UFC30 37/46	800	400	1790	600	800	400	14	744	410	1/2"	1"	0 ~ 690GPM / 0 ~ 156m ³ /hr	200kg	401L
UFC40 37/46	800	400	2050	600	800	400	14	744	420	1/2"	1"	0 ~ 920GPM / 0 ~ 209m ³ /hr	230kg	460L
UFC20 47/56	850	450	1635	650	850	400	14	800	455	1/2"	1"	0 ~ 560GPM / 0 ~ 127m ³ /hr	204kg	354L
UFC30 47/56	850	450	1885	650	850	400	14	800	455	1/2"	1"	0 ~ 840GPM / 0 ~ 190m ³ /hr	242kg	484L
UFC40 47/56	850	450	2135	650	850	400	14	800	455	1/2"	1"	0 ~ 1120GPM / 0 ~ 254m ³ /hr	280kg	567L
UFC20 57/81	950	500	1880	762	962	450	14	960	650	1/2"	1 1/2"	0 ~ 810GPM / 0 ~ 184m ³ /hr	322kg	519L
UFC30 57/81	950	500	2130	762	962	450	14	960	650	1/2"	1 1/2"	0 ~ 1215GPM / 0 ~ 276m ³ /hr	365kg	665L
UFC40 57/81	950	500	2380	762	962	450	14	960	650	1/2"	1 1/2"	0 ~ 1620GPM / 0 ~ 368m ³ /hr	408kg	802L
UFC20 82/95	1000	550	2080	900	1100	450	14	1100	700	1/2"	2"	0 ~ 950GPM / 0 ~ 215m ³ /hr	659kg	788L
UFC30 82/95	1000	550	2330	900	1100	450	14	1100	700	1/2"	2"	0 ~ 1425GPM / 0 ~ 323m ³ /hr	687kg	1042L
UFC40 82/95	1000	550	2580	900	1100	450	14	1100	700	1/2"	2"	0 ~ 1900GPM / 0 ~ 431m ³ /hr	715kg	1201L
UFC20 96/135	1100	600	2170	1000	1200	500	14	1200	710	1/2"	2"	0 ~ 1350GPM / 0 ~ 306m ³ /hr	750kg	996L
UFC30 96/135	1100	600	2420	1000	1200	500	14	1200	710	1/2"	2"	0 ~ 2025GPM / 0 ~ 460m ³ /hr	791kg	1350L
UFC40 96/135	1100	600	2670	1000	1200	500	14	1200	710	1/2"	2"	0 ~ 2700GPM / 0 ~ 613m ³ /hr	832kg	1546L
UFC20 136/155	1250	650	2225	1100	1300	600	14	1300	715	1/2"	2"	0 ~ 1550GPM / 0 ~ 352m ³ /hr	990kg	1206L
UFC30 136/155	1250	650	2475	1100	1300	600	14	1300	715	1/2"	2"	0 ~ 2325GPM / 0 ~ 589m ³ /hr	1046kg	1580L
UFC40 136/155	1250	650	2725	1100	1300	600	14	1300	715	1/2"	2"	0 ~ 3100GPM / 0 ~ 704m ³ /hr	1102kg	1817L
UFC20 156/173	1250	650	2230	1200	1400	600	14	1400	720	1/2"	2"	0 ~ 1730GPM / 0 ~ 392m ³ /hr	1129kg	1446L
UFC30 156/173	1250	650	2480	1200	1400	600	14	1400	720	1/2"	2"	0 ~ 2595GPM / 0 ~ 589m ³ /hr	1188kg	1955L
UFC40 156/173	1250	650	2730	1200	1400	600	14	1400	720	1/2"	2"	0 ~ 3460GPM / 0 ~ 785m ³ /hr	1247kg	2238L

UNIT : mm

Customized housings are available on requests.

Actual flow rates will be determined on element selection and fluid viscosity.

Stainless Steel Bag Filter Housings

Grace Stainless Steel Bag Filter Housings are recommended as economic entry models for commercial and general filtration processes with the features of light-weight and low pressure drop. The clamp closure and threaded coupling make closure quick and easy. Height of the housing is adjustable by the design of mounting-legs module. Constructed by 100% stainless steel, the housings offer superior corrosion resistance for a wide range of applications while staying in consistent filtration performance.



Applications

Inks & Polymers Filtration, Paints & Lacquer Filtration, Chemicals, Petrochemicals, Electronics, Waste Water Treatment, Food & Beverage, Pharmaceuticals, Pre RO/DI

Operation Data

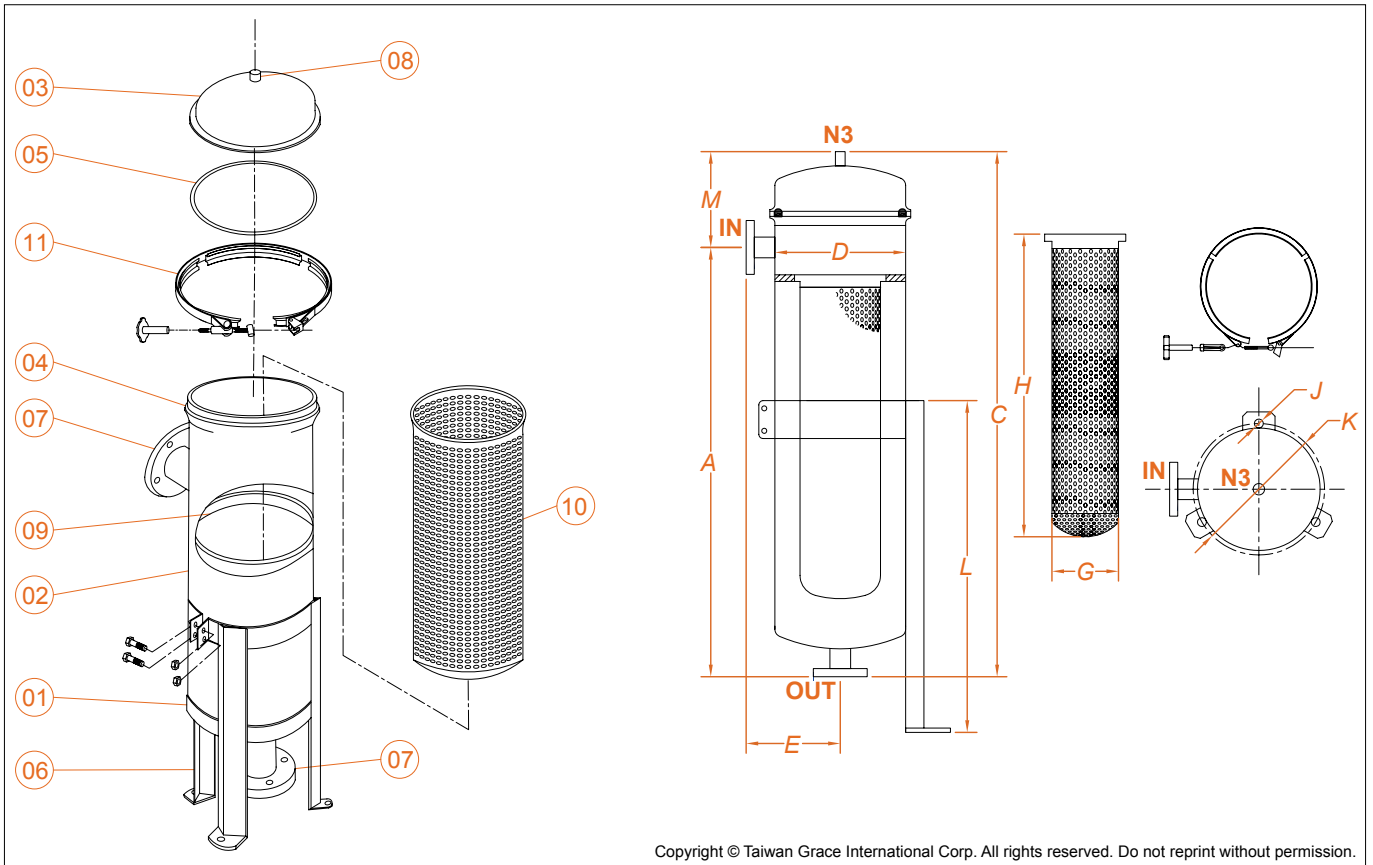
Maximum Operating Temperature : 75°C (167°F) (Base on selection of filter element and O-ring material.)

Maximum Operating Pressure : 7 bar at 75°C (100 psi at 167°F)

Ordering Information

Type	Bag Size	Material of Construction	Number of Bag	Connection	Inlet/Outlet Size (inch)	O-ring Option	Option
UFB Bag Filter Housing	01 - Size 1	4 - SUS304	1 - 1 pce	P-PTF	06-3/4"	E -EPDM S-Silicone V -Viton W -Teflon encapsulated Viton	P -All Polish IP -Inside Polish OP -Outside Polish Q -Painting
	02 - Size 2	6 - SUS316		N-NPTF	10-1"		
	03 - Size 3	7 - SUS316L		B-BSPF	15-1.5"		
	04 - Size 4			J -JIS Flange	20-2"		
				A -ANSI Flange	25-2.5"		
			D -DIN Flange	30-3"			
				C -Sanitary Clamp	40-4"		
UFB Bag Filter Housing	02 Size 2	6 SUS316	1 1 pce	J JIS Flange	20 2"	E EPDM O-ring	

Stainless Steel Bag Filter Housings



Components

No.	Description	Qty
01	End Plate	1
02	Shell	1
03	Top Cover	1
04	Flange	1
05	O-ring	1
06	Mounting-legs Module	1
07	Port (Inlet / Outlet)	2
08	Vent	1
09	Filter Bag Plate	1
10	Basket	1
11	Clamp	1

Dimensions

Model	A	C	ØD	E	ØG	H	ØJ	ØK	L	M	N3	Flow Rate	G .Weight	Volume
UFB01	550	740	232	176	172	350	10	323	520	190	1/4"	0~ 90 GPM / 0~20 m ³ /hr	21kg	27L
UFB02	1005	1195	232	176	172	730	10	323	520	190	1/4"	0~200 GPM / 0~45 m ³ /hr	26kg	46L
UFB03	360	538	180	150	98	200	10	252	350	178	1/4"	0~ 20 GPM / 0~4.5 m ³ /hr	14kg	11L
UFB04	495	673	180	150	98	310	10	252	350	178	1/4"	0~ 45 GPM / 0~10 m ³ /hr	15KG	14L

UNIT : mm

Dimension K will lead to the differences in size from the drawing due to the elasticity of leg support.

Customized housings are available on requests.

Actual flow rates will be determined on element selection and fluid viscosity.



Stainless Steel High Pressure Bag Filter Housings

Grace Stainless Steel High Pressure Bag Filter Housings are manufactured by heavy-duty stainless steel with advantages of superior chemical resistance and high pressure endurance. Height of the housing is adjustable by the design of mounting- legs module, offering flexible and adaptable installation. Symmetric swing bolts sitting around the top cover provide convenient top cover removal, better sealing performance and enhanced safety.



Applications

Inks & Polymers Filtration, Paints & Lacquer Filtration, Chemicals, Petrochemicals, Electronics, Waste Water Treatment, Food & Beverage, Pharmaceuticals, Pre RO

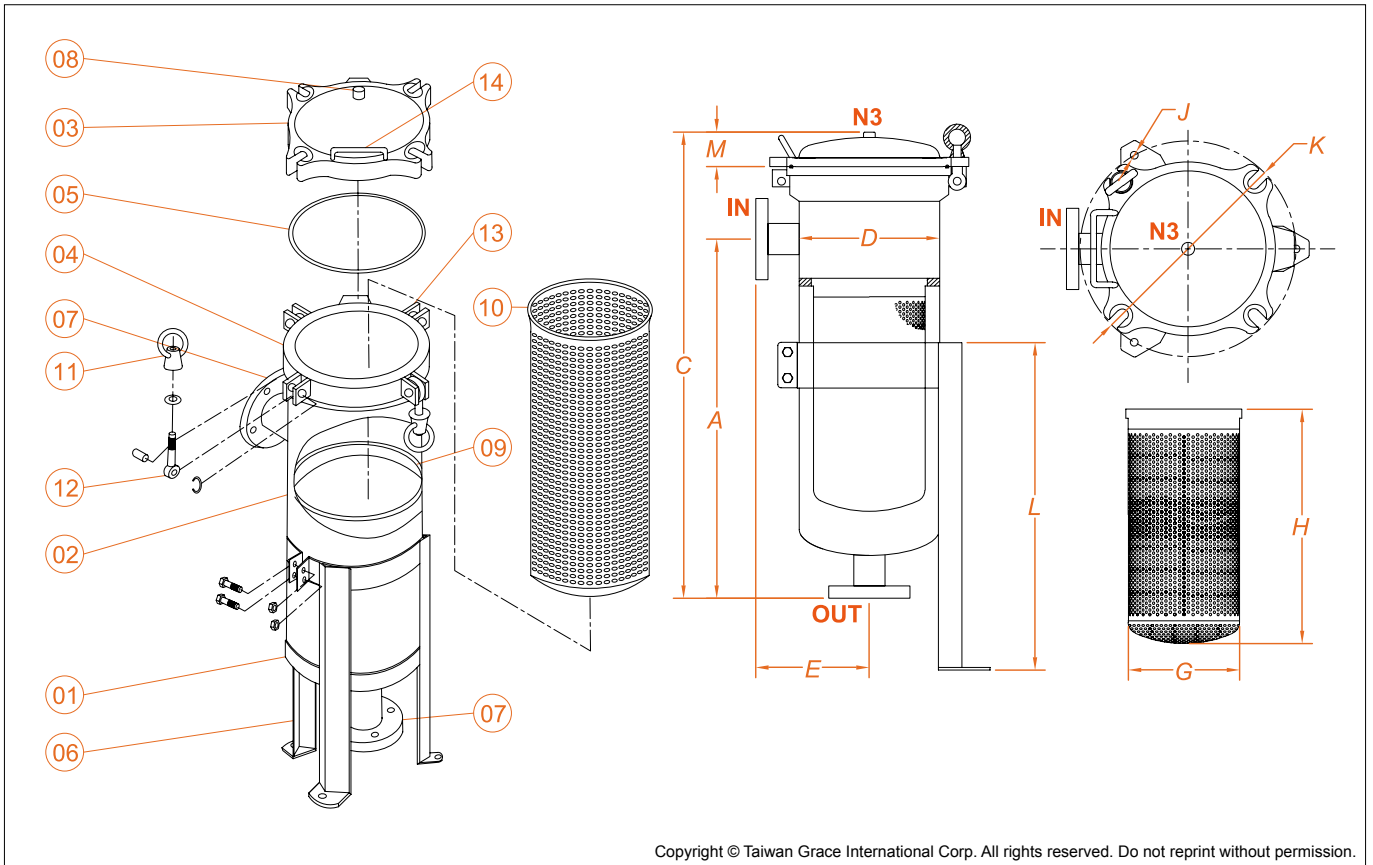
Operation Data

Maximum Operating Temperature : 75°C (167°F) (Base on selection of filter element and O-ring material.)
 Maximum Operating Pressure : 10 bar at 75°C (150 psi at 167°F)

Ordering Information

Type	Bag Size	Material of Construction	Number of Bag	Connection	Inlet/Outlet Size (inch)	O-ring Option	Option
UFBG High Pressure Bag Filter Housing	01 - Size 1	4 - SUS304	1 - 1 pce	P -PTF	06 -3/4"	E -EPDM S -Silicone V -Viton W -Teflon encapsulated Viton	P -All Polish IP -Inside Polish OP -Outside Polish Q -Painting
	02 - Size 2	6 - SUS316		N -NPTF	10 -1"		
	03 - Size 3	7 - SUS316L		B -BSPF	15 -1.5"		
	04 - Size 4			J -JIS Flange	20 -2"		
				A -ANSI Flange	25 -2.5"		
				D -DIN Flange	30 -3"		
				C -Sanitary Clamp	40 -4"		
UFBG High Pressure Bag Filter Housing	02 Size 2	6 SUS316	1 1 pce	J JIS Flange	20 2"	E EPDM O-ring	

Stainless Steel High Pressure Bag Filter Housings



Components

No.	Description	Qty	No.	Description	Qty
01	End Plate	1	08	Vent	1
02	Shell	1	09	Filter Bag Plate	1
03	Top Cover	1	10	Basket	1
04	Flange	1	11	Eye Nut	3, 4
05	O-ring	1	12	Eye Bolt	3, 4
06	Mounting-legs Module	1	13	Eye Bolt Socket	3, 4
07	Port (Inlet / Outlet)	2	14	Handle	1

Dimensions

Model	A	C	ØD	E	ØG	H	ØJ	ØK	L	M	N3	Flow Rate	G. Weight	Volume
UFBG01	550	740	210	168	172	350	10	332	504	65	1/4"	0~ 90 GPM / 0~20 m ³ /hr	34kg	23L
UFBG02	930	1120	210	168	172	730	10	332	704	65	1/4"	0~200 GPM / 0~45 m ³ /hr	43kg	37L
UFBG03	350	495	140	135	97	200	10	211	350	40	1/4"	0~ 20 GPM / 0~4.5 m ³ /hr	18kg	6.3L
UFBG04	450	595	140	135	97	310	10	211	350	40	1/4"	0~ 45 GPM / 0~10 m ³ /hr	21kg	7.8L

UNIT : mm

Dimension K will lead to the differences in size from the drawing due to the elasticity of leg support.

Customized housings are available on requests.

Actual flow rates will be determined on element selection and fluid viscosity.



Stainless Steel Top-loading Bag Filter Housings

Grace Stainless Steel Top-loading Bag Filter Housings are manufactured by heavy-duty stainless steel components to meet the most demanding applications. The top-loading design highly utilizes the filter housings with results of minimum headroom of unfiltered liquid, and high filtration performance. Height of the housing is adjustable by the design of mounting-legs module, making installation flexible and adaptable. Swing bolt closure enables the housing to withstand higher pressure and perform better sealing.



Applications

Inks & Polymers Filtration, Paints & Lacquer Filtration, Chemicals, Petrochemicals, Electronics, Waste Water Treatment, Food & Beverage, Pharmaceuticals, Pre RO

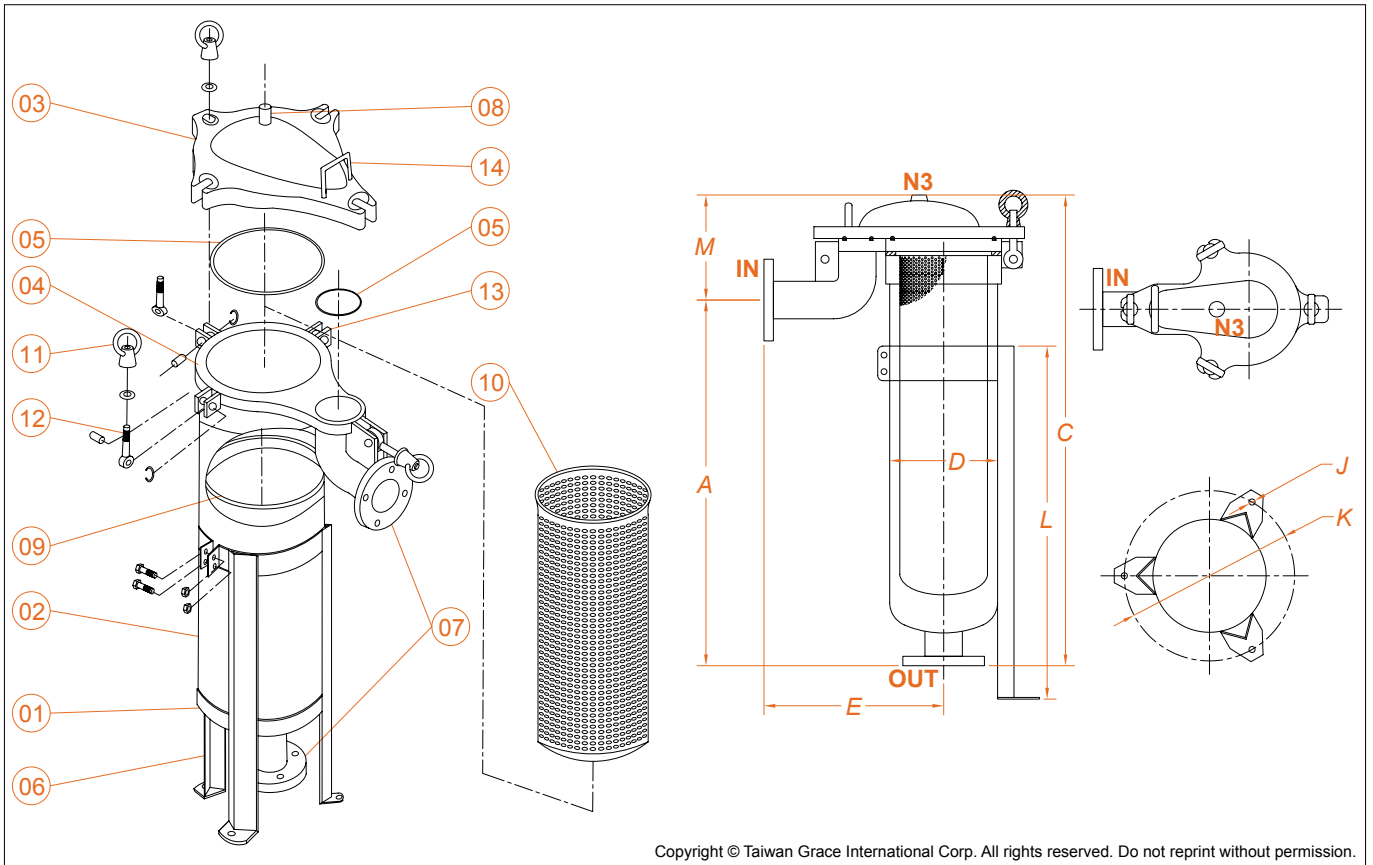
Operation Data

Maximum Operating Temperature : 75°C (167°F) (Base on selection of filter element and O-ring material.)
 Maximum Operating Pressure : 10 bar at 75°C (150 psi at 167°F)

Ordering Information

Type	Bag Size	Material of Construction	Number of Bag	Connection	Inlet/Outlet Size (inch)	O-ring Option	Option
UFBT Top-loading Bag Filter Housing	01 - Size 1 02 - Size 2	4 - SUS304 6 - SUS316 7 - SUS316L	1 - 1 pce	P -PTF N -NPTF B -BSPF J -JIS Flange A -ANSI Flange D -DIN Flange C -Sanitary Clamp	20 -2" 25 -2.5"	E -EPDM S -Silicone V -Viton W -Teflon encapsulated Viton	P -All Polish IP -Inside Polish OP -Outside Polish Q -Painting
UFBT Top-loading Bag Filter Housing	02 Size 2	6 SUS316	1 1 pce	J JIS Flange	20 2"	E EPDM O-ring	

Stainless Steel Top-loading Bag Filter Housings



Copyright © Taiwan Grace International Corp. All rights reserved. Do not reprint without permission.

Components

No.	Description	Qty	No.	Description	Qty
01	End Plate	1	08	Vent	1
02	Shell	1	09	Filter Bag Plate	1
03	Top Cover	1	10	Basket	1
04	Flange	1	11	Eye Nut	4
05	O-ring	1	12	Eye Bolt	4
06	Mounting-legs Module	1	13	Eye Bolt Socket	4
07	Port (Inlet / Outlet)	2	14	Handle	1

Dimensions

Model	A	C	ØD	E	ØJ	ØK	L	M	Inlet Outlet	N3	Flow Rate	G. Weight	Volume
UFBT01	385	555	216	270	12	350	504	170	2" Flange	1/2"	0~ 90 GPM / 0~20 m ³ /hr	40kg	16L
UFBT02	735	905	216	270	12	332	704	170	2" Flange	1/2"	0~200 GPM / 0~45 m ³ /hr	48kg	31L
UFBT01	385	585	216	302	12	350	504	200	2.5" Flange	1/2"	0~ 90 GPM / 0~20 m ³ /hr	40kg	16L
UFBT02	735	935	216	302	12	332	704	200	2.5" Flange	1/2"	0~200 GPM / 0~45 m ³ /hr	48kg	31L

UNIT : mm

Dimension K will lead to the differences in size from the drawing due to the elasticity of leg support.

Customized housings are available on requests.

Actual flow rates will be determined on element selection and fluid viscosity.

Stainless Steel High Flow Multi-bags Filter Housings

Grace Stainless Steel High Flow Multi-bags Filter Housings are manufactured by heavy-duty stainless steel components to meet demanding applications. With big capacity of multi-rounds filter bags, the housings are able to process significant flow rate while remaining high filtration performance. The incorporation of davit lifter and turntable makes operation convenient and safe. Closing by symmetric swing bolts sitting around top cover, the housings perform excellent sealing and high pressure withstanding capability.



Applications

Inks & Polymers Filtration, Paints & Lacquer Filtration, Chemicals, Petrochemicals, Electronics, Waste Water Treatment, Food & Beverage, Pharmaceuticals, Pre RO

Operation Data

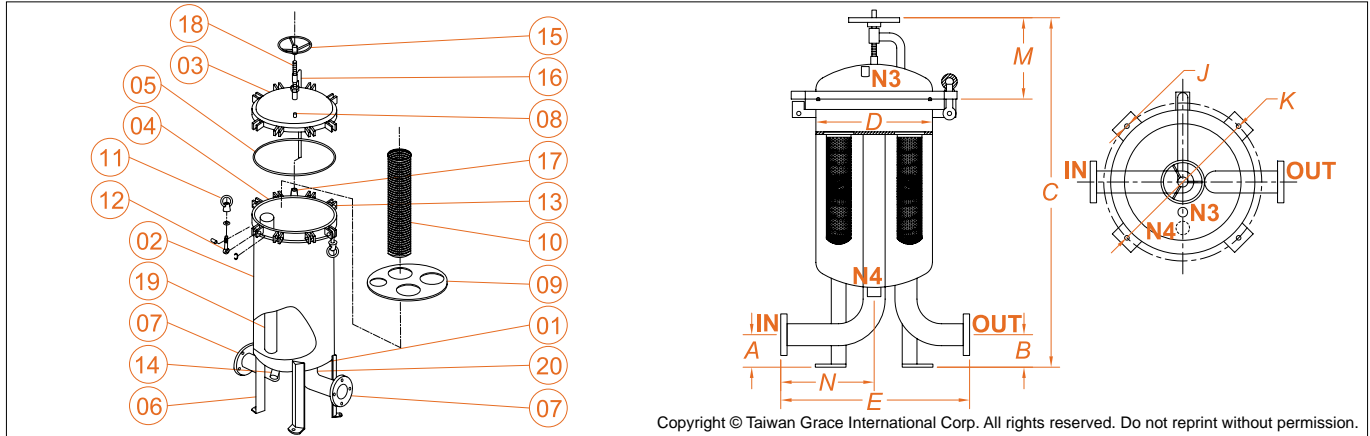
Maximum Operating Temperature : 75°C (167°F) (Base on selection of filter element and O-ring material.)

Maximum Operating Pressure : 10 bar at 75°C (150 psi at 167°F)

Ordering Information

Type	Bag Size	Material of Construction	Number of Bag	Connection	Inlet/Outlet Size (inch)	O-ring Option	Option
UFB Bag Filter Housing	02 - Size 2	4 - SUS304 6 - SUS316 7 - SUS316L	2 - 2 pcs 14 - 14 pcs	P -PTF N -NPTF B -BSPF J -JIS Flange A -ANSI Flange D -DIN Flange C -Sanitary Clamp	30 -3" 90 -9" Z -10"	E -EPDM S -Silicone V -Viton W -Teflon encapsulated Viton	P -All Polish IP -Inside Polish OP -Outside Polish Q -Painting
UFB Bag Filter Housing	02 Size 2	6 SUS316	10 10 pcs	J JIS Flange	80 8"	E EPDM O-ring	

Stainless Steel High Flow Multi-bags Filter Housings



Components

No.	Description	Qty	No.	Description	Qty
01	End Plate	1	11	Eye Nut	8~28
02	Shell	1	12	Eye Bolt	8~28
03	Top Cover	1	13	Eye Bolt Socket	8~28
04	Flange	1	14	Drain	1
05	O-ring	1	15	Turntable	1
06	Mounting-legs Module	1	16	Davit Lifter	1
07	Port (Inlet / Outlet)	2	17	Bearing	1
08	Vent	1	18	Screw	1
09	Filter Bag Plate	1	19	Pipe	1
10	Basket	2~14	20	Curve Pipe	2

Dimensions

Model	Port	A	B	C	ØD	E	ØJ	ØK	M	N	N3	N4	Flow Rate	G. Weight	Volume
UFB02 2	3"F	108	108	1423	406	584	14	516	370	254	1/2"	2"	0 ~ 400GPM / 0 ~ 90m ³ /hr	97kg	116L
UFB02 2	4"F	127	127	1482	406	660	14	516	370	292	1/2"	2"	0 ~ 400GPM / 0 ~ 90m ³ /hr	102kg	117L
UFB02 3	3"F	108	108	1485	508	686	14	618	407	343	1/2"	2"	0 ~ 600GPM / 0 ~ 135m ³ /hr	125kg	188L
UFB02 3	4"F	127	127	1544	508	724	14	618	407	343	1/2"	2"	0 ~ 600GPM / 0 ~ 135m ³ /hr	130kg	189L
UFB02 4	3"F	108	108	1493	560	698	14	704	410	330	1/2"	2"	0 ~ 800GPM / 0 ~ 180m ³ /hr	161kg	244L
UFB02 4	4"F	127	127	1552	560	737	14	704	410	330	1/2"	2"	0 ~ 800GPM / 0 ~ 180m ³ /hr	169kg	245L
UFB02 4	6"F	152	152	1662	600	876	14	744	415	356	1/2"	2"	0 ~ 800GPM / 0 ~ 180m ³ /hr	206kg	279L
UFB02 5	3"F	108	108	1493	560	698	14	704	410	330	1/2"	2"	0 ~ 800GPM / 0 ~ 180m ³ /hr	160kg	244L
UFB02 5	4"F	127	127	1552	560	737	14	704	410	330	1/2"	2"	0 ~ 1000GPM / 0 ~ 225m ³ /hr	165kg	278L
UFB02 5	6"F	152	152	1662	600	876	14	744	415	356	1/2"	2"	0 ~ 1000GPM / 0 ~ 225m ³ /hr	206kg	246L
UFB02 6	3"F	108	108	1503	600	724	14	744	415	356	1/2"	2"	0 ~ 1000GPM / 0 ~ 225m ³ /hr	198kg	277L
UFB02 6	4"F	127	127	1562	600	763	14	744	415	356	1/2"	2"	0 ~ 1200GPM / 0 ~ 270m ³ /hr	202kg	278L
UFB02 6	6"F	152	152	1662	600	876	14	744	415	356	1/2"	2"	0 ~ 1200GPM / 0 ~ 270m ³ /hr	206kg	279L
UFB02 7	3"F	108	108	1783	762	813	14	962	650	406	1/2"	2"	0 ~ 1200GPM / 0 ~ 270m ³ /hr	430kg	488L
UFB02 7	4"F	127	127	1842	762	864	14	962	650	406	1/2"	2"	0 ~ 1400GPM / 0 ~ 315m ³ /hr	440kg	489L
UFB02 7	6"F	152	152	1947	762	927	14	962	650	406	1/2"	2"	0 ~ 1400GPM / 0 ~ 315m ³ /hr	450kg	491L
UFB02 7	8"F	184	184	2048	762	991	14	962	650	432	1/2"	2"	0 ~ 1400GPM / 0 ~ 315m ³ /hr	440kg	493L
UFB02 8	4"F	127	127	1783	762	864	14	962	591	432	1/2"	2"	0 ~ 1400GPM / 0 ~ 315m ³ /hr	450kg	489L
UFB02 8	6"F	152	152	1842	762	991	14	962	545	432	1/2"	2"	0 ~ 1600GPM / 0 ~ 360m ³ /hr	450kg	491L
UFB02 8	8"F	184	184	2048	762	1047	14	962	650	432	1/2"	2"	0 ~ 1600GPM / 0 ~ 360m ³ /hr	460kg	493L
UFB02 9	6"F	152	152	1972	813	1016	14	1013	665	457	1/2"	2"	0 ~ 1600GPM / 0 ~ 360m ³ /hr	520kg	564L
UFB02 9	8"F	184	184	2073	813	1016	14	1013	665	457	1/2"	2"	0 ~ 1800GPM / 0 ~ 405m ³ /hr	530kg	566L
UFB02 10	6"F	152	152	2012	864	1092	14	1064	685	483	1/2"	2"	0 ~ 1800GPM / 0 ~ 405m ³ /hr	590kg	662L
UFB02 10	8"F	184	184	2113	864	1067	14	1064	685	483	1/2"	2"	0 ~ 2000GPM / 0 ~ 450m ³ /hr	600kg	664L
UFB02 10	10"F	216	216	2267	965	1219	14	1215	710	533	1/2"	2"	0 ~ 2000GPM / 0 ~ 450m ³ /hr	715kg	854L
UFB02 12	8"F	184	184	2158	965	1130	14	1215	710	533	1/2"	2"	0 ~ 2400GPM / 0 ~ 540m ³ /hr	725kg	852L
UFB02 12	10"F	216	216	2267	965	1219	14	1215	710	533	1/2"	2"	0 ~ 2400GPM / 0 ~ 540m ³ /hr	735kg	854L
UFB02 14	10"F	216	216	2267	965	1219	14	1215	710	533	1/2"	2"	0 ~ 2800GPM / 0 ~ 630m ³ /hr	810kg	942L

UNIT : mm

Customized housings are available on requests.

Actual flow rates will be determined on element selection and fluid viscosity.



Stainless Steel Sanitary Single Cartridge Filter Housings

Grace Stainless Steel Sanitary Single Cartridge Filter Housings have special surface finish of mechanical polish, making the housings ideal choices for demanding processes requiring high purity. The smooth surface retains the lowest content of fine dust in fluid and eliminates possible contaminants while processing. With features of easy draining and clamp closure, the housings are advantaged of convenient operation and quick element change out.



Applications

Pre RO/DI, Laboratory Facilities, Chemicals, Electronics, Food & Beverage, Pharmaceuticals, Process Gases

Operation Data

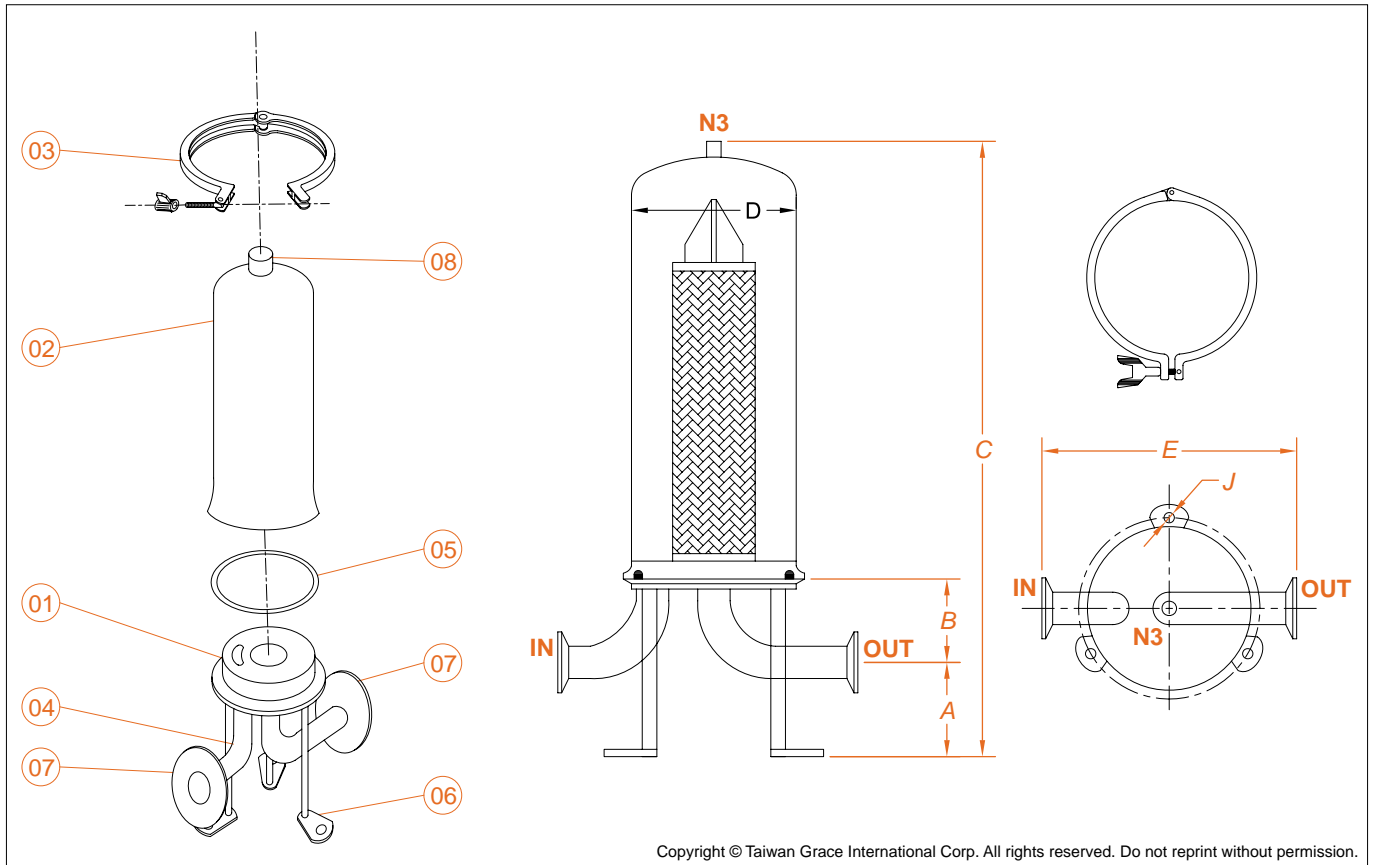
Maximum Operating Temperature : 75°C (167°F) (Base on selection of filter element and O-ring material.)

Maximum Operating Pressure : 7 bar at 75°C (100 psi at 167°F)

Ordering Information

Type	Cartridge Length	Material of Construction	Number of Cartridges	Connection	Inlet/Outlet Size (inch)	O-ring Option	Cartridge End Cap
UFCP Sanitary Cartridge Filter Housing	10 - 10"	4 - SUS304	1 - 1pce	P -PTF	06-3/4" 10-1"	E -EPDM	0 Flat Gasket Double Open Ends
	20 - 20"	6 - SUS316		N -NPTF		S -Silicone	8 2-222 O-ring Fin/Flat
	30 - 30"	7 - SUS316L		B -BSPF		T -Teflon	9 2-226 O-ring Fin/Flat
				J -JIS Flange		W -Teflon encapsulated Viton	7 No Bayonets 2-226 O-ring Fin/Flat
				A -ANSI Flange			
				D -DIN Flange			
				C -Sanitary Clamp			
UFCP	30	6	1	C	10	E	9
Sanitary Cartridge Filter Housing	30"	SUS316	1 pce	Sanitary Clamp	1"	EPDM O-ring	2-226 O-ring Fin/Flat

Stainless Steel Sanitary Single Cartridge Filter Housings



Components

No.	Description	Qty	No.	Description	Qty
01	Base	1	05	O-ring	1
02	Shell	1	06	Mounting Leg	3
03	Clamp	1	07	Port(Inlet/Outlet)	2
04	Curve Pipe	2	08	Vent	1

Dimensions

Model	A	B	C	ØD	E	ØJ	N3	Flow Rate	G. Weight
UFCP10 1	55	57	460	106	199	10	1/4"	0 ~ 5 GPM / 0 ~ 1 m ³ /hr	4.5kg
UFCP20 1	55	57	710	106	199	10	1/4"	0~ 10 GPM / 0 ~ 2 m ³ /hr	6.0kg
UFCP30 1	55	57	960	106	199	10	1/4"	0~ 15 GPM / 0 ~ 3 m ³ /hr	7.5kg

UNIT : mm

Customized housings are available on requests.

Actual flow rates will be determined on element selection and fluid viscosity.

Stainless Steel Sanitary Cartridge Filter Housings



Grace Stainless Steel Sanitary Cartridge Housings have surface finish of mechanical polish, making the housings ideal for demanding processes requiring high purity. The housings can be disassembled in all parts, eliminating possibility of retained particles and making more effective cleaning. The design of clamp closure advantages the housings with convenient operation and quick element change out. Manufactured by 100% stainless steel, the housings are competent to work in a wide range of critical applications.



Applications

Pre RO/DI, Laboratory Facilities, Chemicals, Electronics, Food & Beverage, Pharmaceuticals

Operation Data

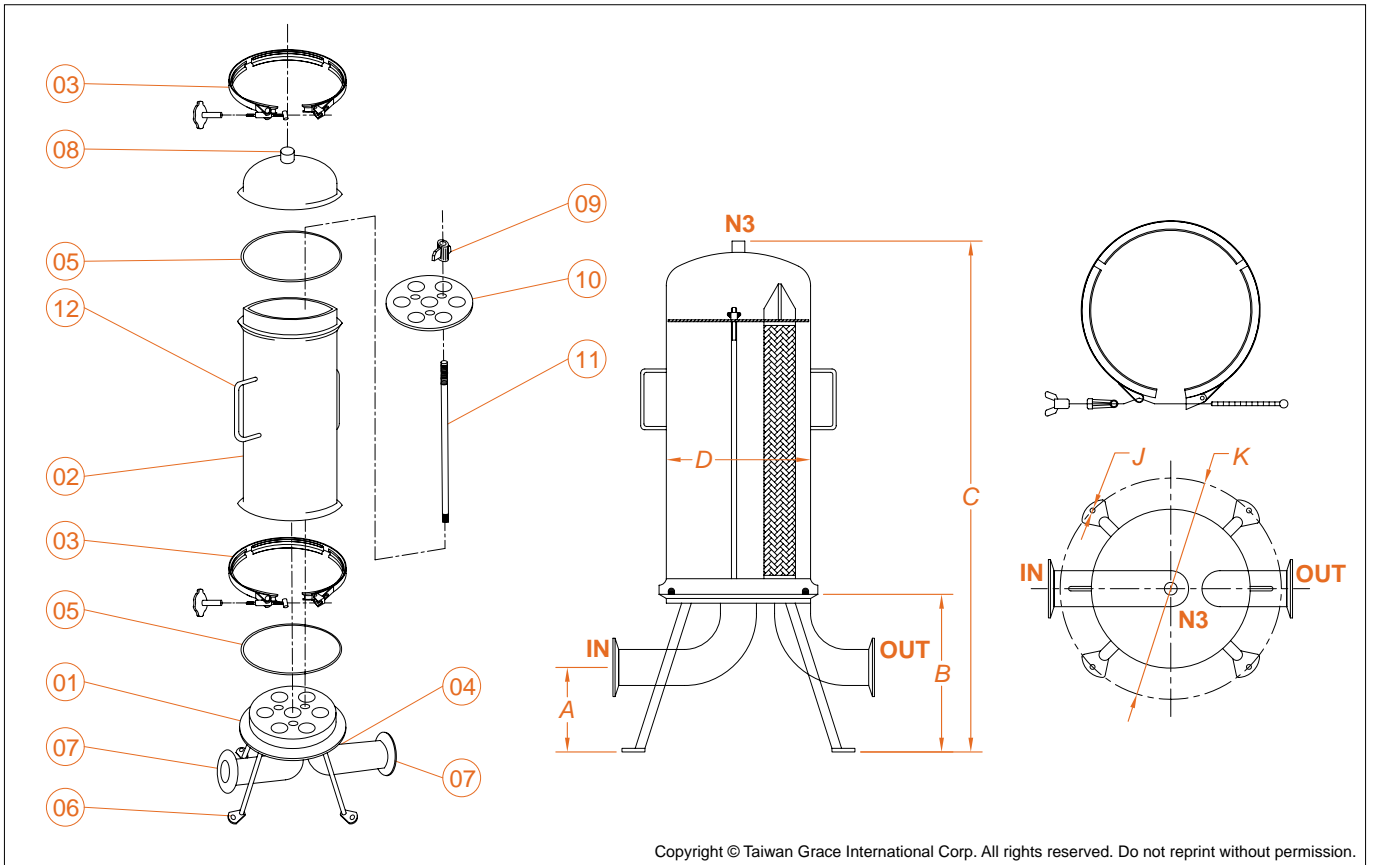
Maximum Operating Temperature : 75°C (167°F) (Base on selection of filter element and O-ring material.)

Maximum Operating Pressure : 7 bar at 75°C (100 psi at 167°F)

Ordering Information

Type	Cartridge Length	Material of Construction	Number of Cartridges	Connection	Inlet/Outlet Size (inch)	O-ring Option	Cartridge End Cap
UFCP Sanitary Cartridge Filter Housing	10 - 10"	4 - SUS304	3 - 3 pcs	P -PTF N -NPTF B -BSPF J -JIS Flange A -ANSI Flange D -DIN Flange C -Sanitary Clamp	15-1.5" 20-2"	E -EPDM S -Silicone T -Teflon W -Teflon encapsulated Viton	0 Flat Gasket Double Open Ends
	20 - 20"		4 - 4 pcs				8 2-222 O-ring Fin/Flat
	30 - 30"	6 - SUS316	5 - 5 pcs				9 2-226 O-ring Fin/Flat
	40 - 40"	7 - SUS316L	6 - 6 pcs				7 No Bayonets 2-226 O-ring Fin/Flat
UFCP Sanitary Cartridge Filter Housing	30"	6 SUS316	3 3 pcs	C Sanitary Clamp	15 1.5"	E EPDM O-ring	9 2-226 O-ring Fin/Flat

Stainless Steel Sanitary Cartridge Filter Housings



Components

No.	Description	Qty	No.	Description	Qty
01	Base	1	07	Port(Inlet/Outlet)	2
02	Shell	1	08	Vent	1
03	Clamp	1	09	Nut	3
04	Curve Pipe	2	10	Cartridge Squeeze Plate	1
05	O-ring	1	11	Screw Stay	3
06	Mounting Leg	4	12	Handle	2

Dimensions

Model	A	B	C	ØD	ØJ	ØK	N3	Flow Rate	G. Weight
UFCP10 3/6	120	225	631	238	12	368	1/4"	0~ 30 GPM / 0 ~ 7 m ³ /hr	21kg
UFCP20 3/6	120	225	886	238	12	368	1/4"	0~ 60 GPM / 0 ~ 14 m ³ /hr	26kg
UFCP30 3/6	120	225	1136	238	12	368	1/4"	0~ 90 GPM / 0 ~ 20 m ³ /hr	29.5kg
UFCP40 3/6	120	225	1386	238	12	368	1/4"	0~ 120 GPM / 0 ~ 27 m ³ /hr	33kg

UNIT : mm

Customized housings are available on requests.

Actual flow rates will be determined on element selection and fluid viscosity.

Stainless Steel Sanitary Multi-cartridges Filter Housings

Grace Stainless Steel Sanitary Cartridge Housings have special surface finish of mechanical polish, making the housings ideal for demanding processes requiring high purity. With high flow capacity, the housings provide effective solutions for critical applications while assuring high quality of filtration performance. All parts of the housings can be disassembled, eliminating remaining particles and making more effective cleaning. The innovative features of davit lifter and swing bolt closure make operation and element change out convenient, safe and easy.



Applications

Pre RO/DI, Laboratory Facilities, Chemicals, Electronics, Food & Beverage, Pharmaceuticals

Operation Data

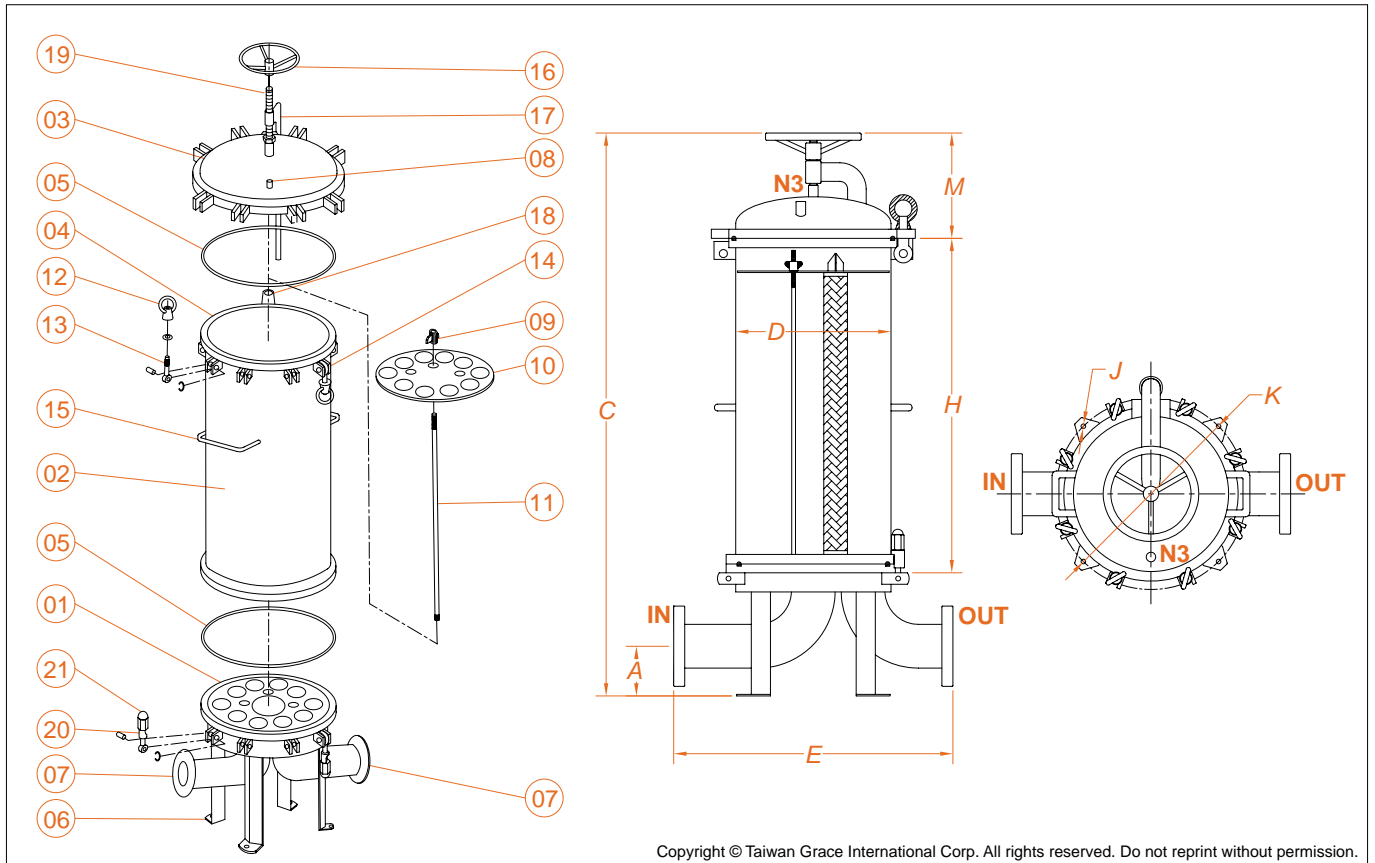
Maximum Operating Temperature : 75°C (167°F) (Base on selection of filter element and O-ring material.)

Maximum Operating Pressure : 7 bar at 75°C (100 psi at 167°F)

Ordering Information

Type	Cartridge Length	Material of Construction	Number of Cartridges	Connection	Inlet/Outlet Size (inch)	O-ring Option	Cartridge End Cap
UFCP Sanitary Cartridge Filter Housing	10 - 10"	4 - SUS304	8-8pcs	P-PTF	20-2" 30-3"	E -EPDM	0 Flat Gasket Double Open Ends
	20 - 20"		10-10pcs	N-NPTF		S-Silicone	8 2-222 O-ring Fin/Flat
	30 - 30"	6 - SUS316	12-12pcs	B-BSPF		T -Teflon	9 2-226 O-ring Fin/Flat
	40 - 40"	7 - SUS316L	16-16pcs	J -JIS Flange		W -Teflon encapsulated Viton	7 No Bayonets 2-226 O-ring Fin/Flat
			20-20pcs	A -ANSI Flange			
			22-22pcs	D -DIN Flange C -Sanitary Clamp			
UFCP Sanitary Cartridge Filter Housing	30 30"	6 SUS316	16 16 pcs	C Sanitary Clamp	30 3"	E EPDM O-ring	9 2-226 O-ring Fin/Flat

Stainless Steel Sanitary Multi-cartridge Filter Housings



Components

No.	Description	Qty	No.	Description	Qty
01	Base	1	12	Eye Nut	8
02	Shell	1	13	Eye Bolt	8
03	Top Cover	1	14	Eye Bolt Socket	8
04	Flange	1	15	Handle	2
05	O-ring	2	16	Turntable	1
06	Mounting Leg	4	17	Davit Lifter	1
07	Port(Inlet/Outlet)	2	18	Bearing	1
08	Vent	1	19	Screw	1
09	Nut	8	20	Swing Bolt	8
10	Cartridge Squeeze Plate	1	21	Nut	8
11	Screw Stay	3			

Dimensions

Model	A	C	ØD	E	H	ØJ	ØK	M	N3	Flow Rate	G. Weight
UFCP30 8	130	1570	350	500	850	14	445	375	1/2"	0~ 120 GPM / 0 ~ 27 m ³ /hr	116kg
UFCP30 10	130	1570	350	500	850	14	445	375	1/2"	0~ 150 GPM / 0 ~ 34 m ³ /hr	116kg
UFCP30 12	150	1590	406	600	850	14	500	375	1/2"	0~ 180 GPM / 0 ~ 40 m ³ /hr	150kg
UFCP30 16	150	1590	406	600	850	14	500	375	1/2"	0~ 240 GPM / 0 ~ 54 m ³ /hr	150kg
UFCP30 20	150	1610	486	700	850	14	580	395	1/2"	0~ 300 GPM / 0 ~ 68 m ³ /hr	185kg
UFCP30 22	150	1610	486	700	850	14	580	395	1/2"	0~ 330 GPM / 0 ~ 75 m ³ /hr	185kg

UNIT : mm

Customized housings are available on requests.

Actual flow rates will be determined on element selection and fluid viscosity.



Plastic Slim Filter Housings

Grace Plastic Slim Filter Housings are available in materials of clear reinforced polypropylene and opaque styrene acrylonitrile (SAN), providing economic choices for residential filtration and general water applications. All housings are accessible with mounting brackets and suitable for processes with limited installation space. The slim housings are designed with innovative double o-rings sealing, ensuring consistent filtration performance and enhanced safety during processes.

Applications

Household Water Filtration, Chemicals, Laboratory Facilities, Pre RO, Electronics, Food & Beverage

Specifications

Housing Material	Reinforced Polypropylene (blue), Styrene Acrylonitrile (clear)
Cap Material	Reinforced Polypropylene
O-ring	Buna-N

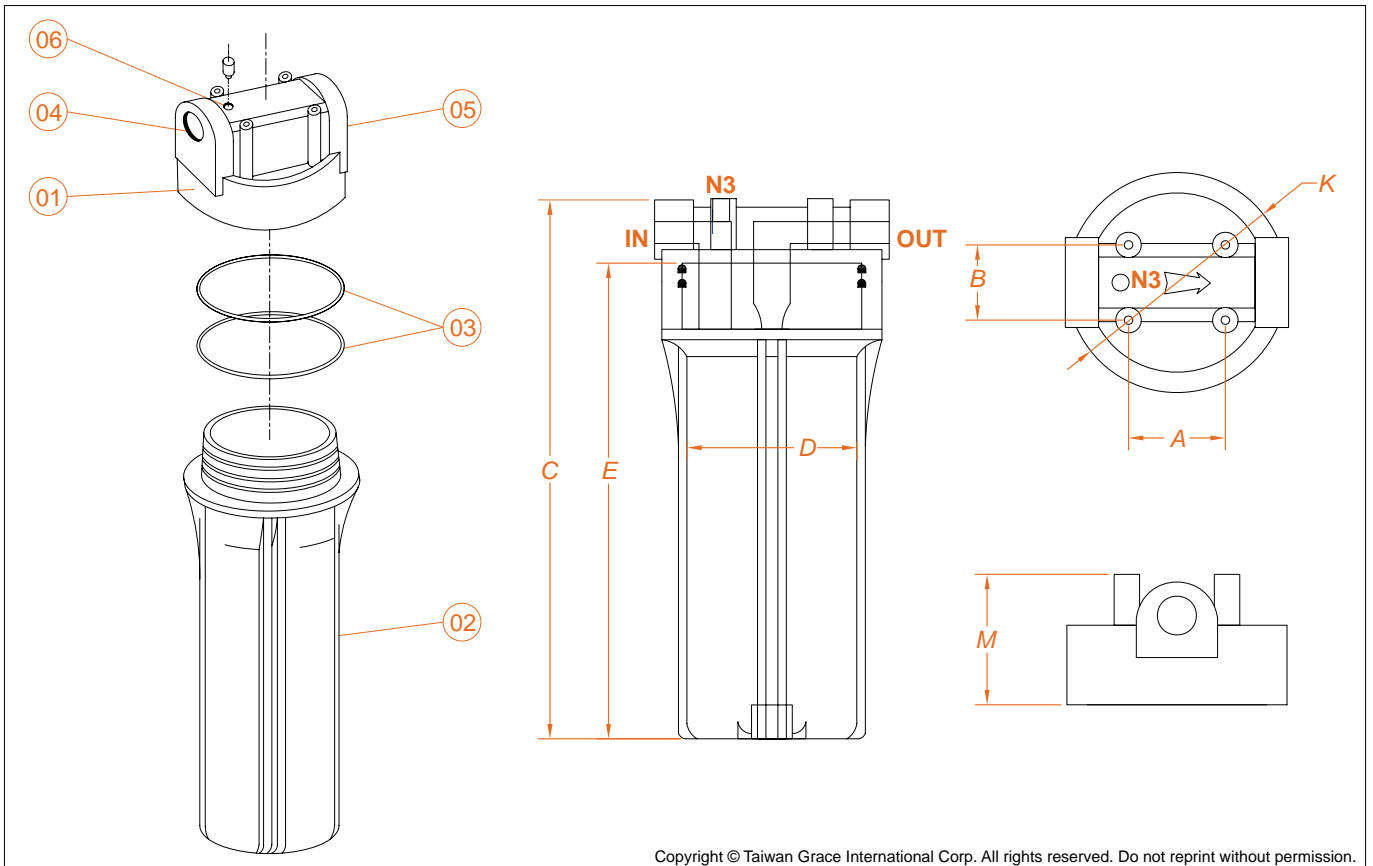
Operation Data

Maximum Operating Temperature : 60°C (140°F)
 Maximum Operating Pressure : 8.6 bar(125 psi)

Ordering Information

Type	Cartridge Length inch	Housing Color	Number of O-rings	Cap Color	Vent	Inlet/Outlet Porting (inch)	Inlet/Outlet Brass	O-ring Option	Series
PH Plastic Filter Housing	10 – 10" 20 – 20"	C -Clear B -Blue W -White	2 -Double O-rings	K -Black B -Blue W -White	V -Vent N -No Vent	N02 - 1/4"NPTF N03 - 3/8"NPTF N04 - 1/2"NPTF N06 - 3/4"NPTF	(blank) No Brass A -Port Brass	B -Buna-N	S -Slim
PH Plastic Filter Housing	10 10"	C Clear	2 Double O-ring	K Black	V Vent	N06 3/4" NPT	B Buna-N	S Slim	

Plastic Slim Filter Housings



Components

No.	Description	Qty
01	Cap	1
02	Filter Housing	1
03	O-ring	2
04	Port(Inlet)	1
05	Port(Outlet)	1
06	Vent	1

Dimensions

Model	A	B	C	ØD	E	ØK	M	Flow Rate	G. Weight
PH10 S	40	33	305	80	270	115	74	0 ~ 5 GPM / 0 ~ 1.1 m ³ /hr	0.96kg
PH20 S	40	33	582	80	540	115	83	0 ~ 10 GPM / 0 ~ 2.2 m ³ /hr	1.75kg

UNIT : mm

Customized housings are available on requests.

Actual flow rates will be determined on element selection and fluid viscosity.



Plastic Standard Filter Housings

Grace Plastic Standard Filter Housings are available in materials of clear reinforced polypropylene and opaque styrene acrylonitrile (SAN), providing economic choices for residential, commercial and industrial applications. Clear housings provide great convenience of on-site examination, and opaque housings have excellent chemical resistance. The standard housings are able to accommodate filter cartridges with bigger diameter of 70mm, resulting in bigger flow capacity for various fluid processes.

Applications

Household Water Filtration, Chemicals, Laboratory Facilities, Pre RO, Electronics, Food & Beverage

Specifications

Housing Material	Reinforced Polypropylene (blue), Styrene Acrylonitrile (clear)
Cap Material	Reinforced Polypropylene
O-ring	Buna-N

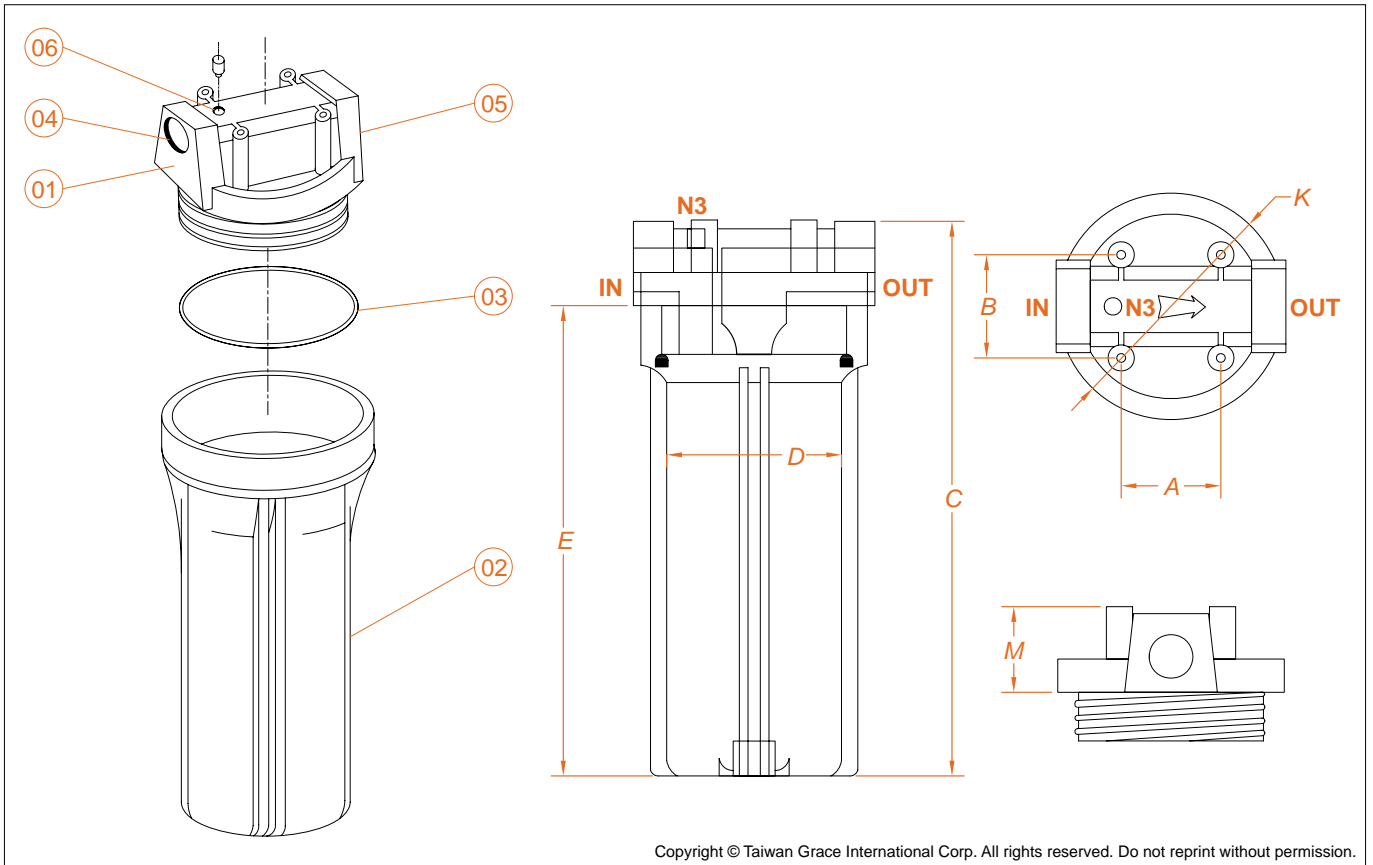
Operation Data

Maximum Operating Temperature : 60°C (140°F)
Maximum Operating Pressure : 8.6 bar(125 psi)

Ordering Information

Type	Cartridge Length inch	Housing Color	Number of O-ring	Cap Color	Vent	Inlet/Outlet Porting (inch)	Inlet/Outlet Brass	O-ring Option	Series
PH Plastic Filter Housing	10 – 10" 20 – 20"	C -Clear B -Blue W -White	1 -Single O-ring	K -Black B -Blue W -White	V -Vent N -No Vent	N04 - 1/2"NPTF N06 - 3/4"NPTF	(blank) No Brass A -Port Brass	B -Buna-N	M Standard
PH Plastic Filter Housing	10 10"	C Clear	1 Single O-ring	K Black	V Vent	N06 3/4" NPT		B Buna-N	M Standard

Plastic Standard Filter Housings



Components

No.	Description	Qty
01	Cap	1
02	Filter Housing	1
03	O-ring	1
04	Port(Inlet)	1
05	Port(Outlet)	1
06	Vent	1

Dimensions

Model	A	B	C	ØD	E	ØK	M	Flow Rate	G. Weight
PH10 M	57	59	314	92	266	130	48	0 ~ 5 GPM / 0 ~ 1.1 m ³ /hr	1.38kg
PH20 M	57	59	571	92	523	130	48	0 ~ 10 GPM / 0 ~ 2.2 m ³ /hr	2.13kg

UNIT : mm

Customized housings are available on requests.

Actual flow rates will be determined on element selection and fluid viscosity.

Plastic Big Filter Housings

Grace Plastic Big Filter Housings are available in materials of clear and opaque sumps, providing versatile choices for residential, commercial and industrial applications. The extra large housings accept a wide variety of 115 mm diameter filter cartridges, allowing great flow capacity and providing economic alternatives of general water filtration. Housings are designed with single or double sealing o-rings to meet different requirements in various applications.



Applications

Household Water Filtration, Chemicals, Laboratory Facilities, Pre RO, Electronics, Food & Beverage, Cooling Water Filtration

Specifications

Housing Material	Reinforced Polypropylene (blue), Styrene Acrylonitrile (clear)
Cap Material	Acrylonitrile Butadiene Styrene (Single O-ring) Reinforced Polypropylene (Double O-rings)
O-ring	Buna-N

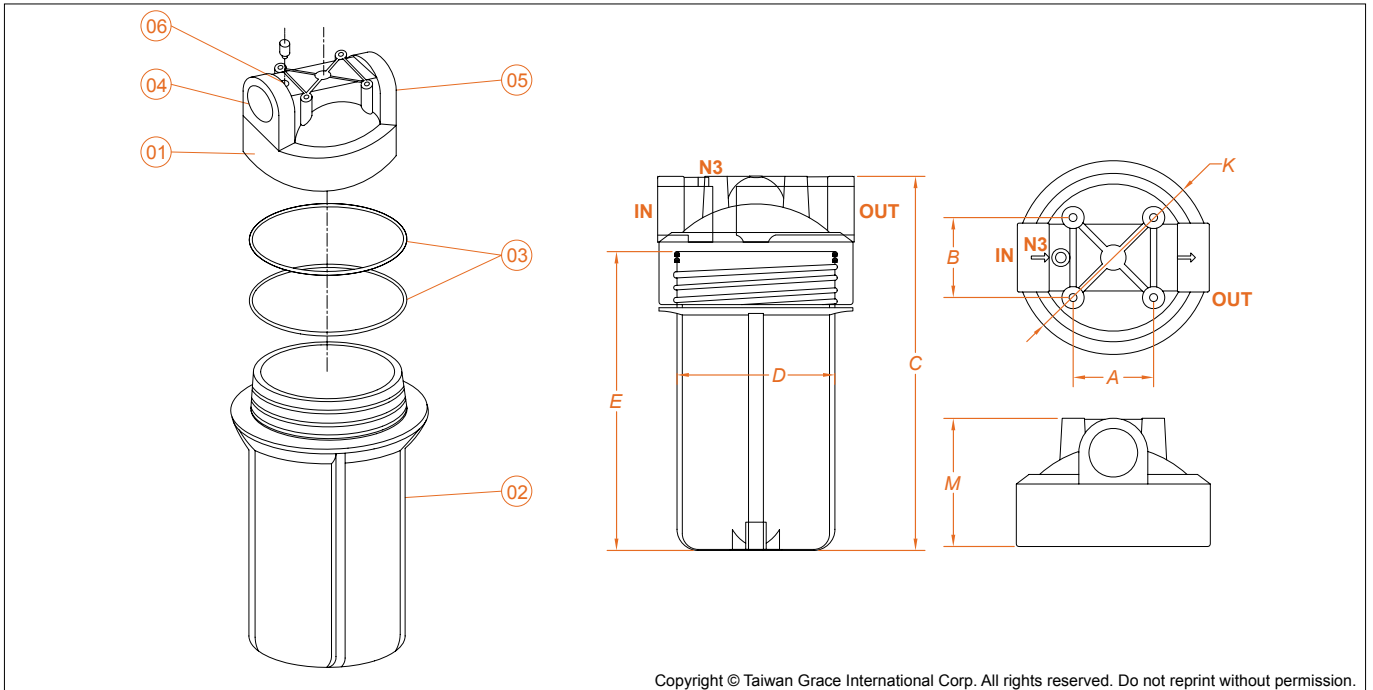
Operation Data

Maximum Operating Temperature : 60°C (140°F)
Maximum Operating Pressure : 7 bar(100 psi)

Ordering Information

Type	Cartridge Length inch	Housing Color	Number of O-rings	Cap Color	Vent	Inlet/Outlet Porting (inch)	Inlet/Outlet Brass	O-ring Option	Series			
PH Plastic Filter Housing	10 – 10"	C -Clear	1 -Single O-ring	K -Black	V -Vent	N10 - 1" NPTF	(blank) No Brass A -Port Brass	B -Buna-N	B Big			
		B -Blue	2 -Double O-rings		N -No Vent	B10 - 1" BSPF N15 - 1.5"NPTF B15 - 1.5"BSPF						
	10 – 20"											
PH Plastic Filter Housing	10 10"	C Clear	1 Single O-ring	K Black	V Vent	N10 1" NPT		B Buna-N	B Big			

Plastic Big Filter Housings



Copyright © Taiwan Grace International Corp. All rights reserved. Do not reprint without permission.

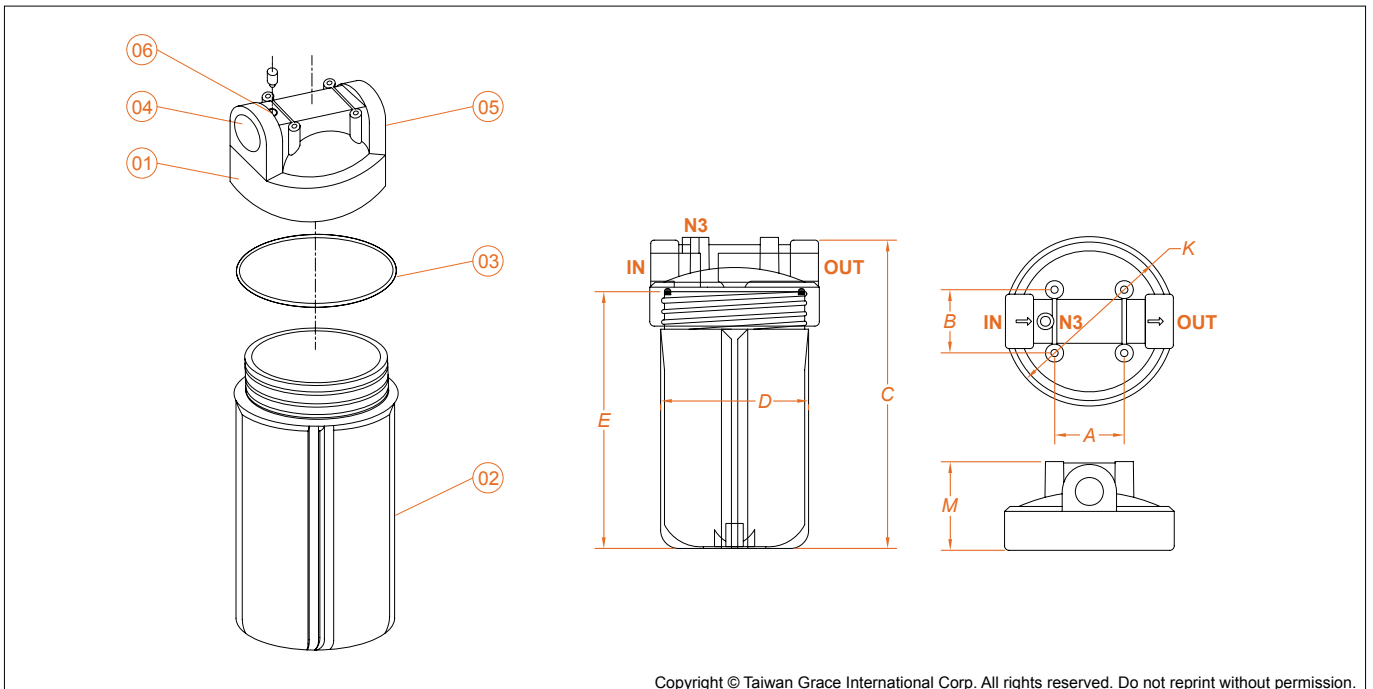
Components

No.	Description	Qty
01	Cap	1
02	Filter Housing	1
03	O-ring	2
04	Port(Inlet)	1
05	Port(Outlet)	1
06	Vent	1

Dimensions

Model	A	B	C	ØD	E	ØK	M	Flow Rate	G. Weight
PH10 B	75.5	75.5	353	148	286	181	121	0 ~ 20 GPM / 0 ~ 4.5 m ³ /hr	2.75kg
PH20 B	75.5	75.5	604	148	540	181	121	0 ~ 40 GPM / 0 ~ 9 m ³ /hr	4.00kg

UNIT : mm
 Customized housings are available on requests.
 Actual flow rates will be determined on element selection and fluid viscosity.



Copyright © Taiwan Grace International Corp. All rights reserved. Do not reprint without permission.

Components

No.	Description	Qty
01	Cap	1
02	Filter Housing	1
03	O-ring	1
04	Port(Inlet)	1
05	Port(Outlet)	1
06	Vent	1

Dimensions

Model	A	B	C	ØD	E	ØK	M	Flow Rate	G. Weight
PH10 B	77	70	341	163	284	187	98	0 ~ 20 GPM / 0 ~ 4.5 m ³ /hr	2.70kg
PH20 B	77	70	597	163	540	187	98	0 ~ 40 GPM / 0 ~ 9 m ³ /hr	3.70kg

UNIT : mm
 Customized housings are available on requests.
 Actual flow rates will be determined on element selection and fluid viscosity.



UPVC Filter Cartridge Housings

Grace UPVC Cartridge Filter Housings feature excellent anti-corrosion ability by the wide chemical compatibility. Compared with products made of stainless steel in the same dimensions, the UPVC cartridge filter housings advantage of lightness, superior corrosion resistance, low cost and rust free. Innovative designs such as spin-off cap closure with easy element change out and mounting flange with secure installation make the UPVC filter housings ideal for various processes without complicated preparation.

- Ⓞ **Free of rust contamination in process fluid because of excellent anti-corrosion ability.**
- Ⓞ **Compared with products made by stainless steel, the UPVC filter housings advantage of lightness and low cost.**
- Ⓞ **Spin-off cap closure requires just a few turns to open and close, making element change out easy and quick.**
- Ⓞ **Bottom mounting flange provides secure and stable installation, enhanced safety and improved consistency during processes.**

Applications

Pre RO, Desalination, Waste Water Treatment, Household Water Filtration

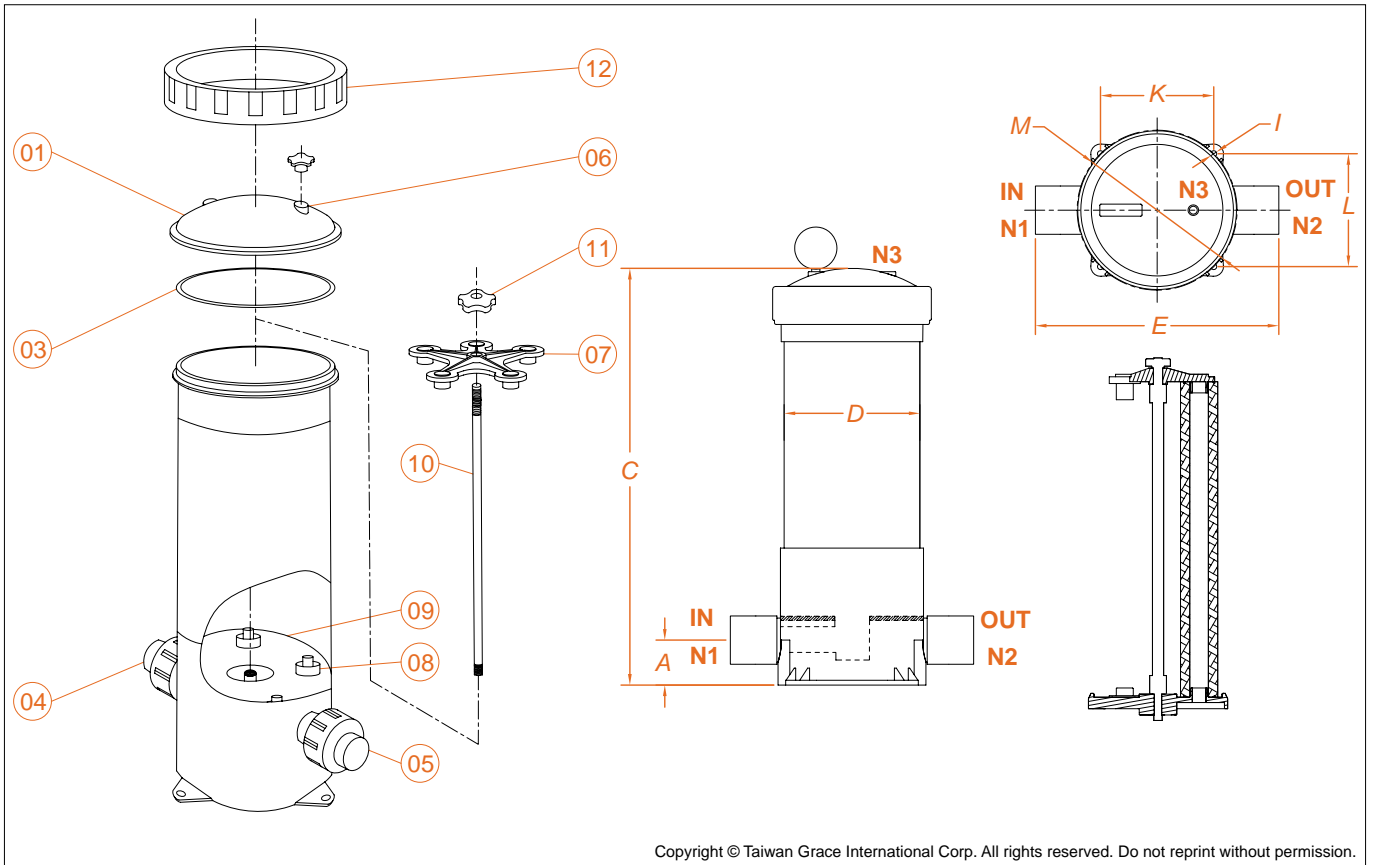
Operation Data

Maximum Operating Temperature : 60°C (140°F)
Maximum Operating Pressure : 4 bar(58 psi)

Ordering Information

Type	Length of Cartridge	Material of Construction	Number of Cartridges	Inlet/Outlet Size (inch/mm)		O-ring Option
				Pipe Standard	Gauge Size	
UFC Cartridge Filter Housing	10 - 10"	U - UPVC	3 - 3pcs 5 - 5pcs	A - ANSI	15 - 1.5"(48mm)	E -EPDM V -Viton S -Silicone
	20 - 20"				20 - 2"(60mm)	
	30 - 30"			D - DIN	40 - 50mm	
	40 - 40"				50 - 63mm	
UFC Cartridge Filter Housing	30 30"	U UPVC	5 5pcs	A ANSI	20 2"	E EPDM O-ring

UPVC Filter Cartridge Housings



Components

No.	Description	Qty
01	Top Cap	1
02	Shell	1
03	O-ring	1
04	Port(Inlet)	1
05	Port(Outlet)	1
06	Vent	1
07	Cartridge Squeeze Plate	1
08	Cartridge Bowl	3, 5
09	Cartridge Support Plate	1
10	Screw Stay	1
11	Nut	1
12	Retainer Ring	1

Dimensions

Model	A	C	ØD	E		ØJ	K	L	ØM	N1	N2	N3	Flow Rate	G. Weight
				DIN/ANSI 1.5"	DIN/ANSI 2"									
UFC10U3/5	75	465	225	365	473	10	188	186	262	DIN/ANSI 1.5"	1/4"	1/4"	0~ 25 GPM / 0 ~ 5 m³/hr	8.0kg
UFC20U3/5	75	715	225	365	473	10	188	186	262				0~ 55 GPM / 0 ~ 11 m³/hr	9.5kg
UFC30U3/5	75	965	225	365	473	10	188	186	262	DIN/ANSI 2"	1/4"	1/4"	0~ 85 GPM / 0 ~ 17 m³/hr	13.0kg
UFC40U3/5	75	1215	225	365	473	10	188	186	262				0~110 GPM / 0 ~ 22 m³/hr	15.3kg

UNIT : mm

Customized housings are available on requests.

Actual flow rates will be determined on element selection and fluid viscosity.



UPVC High Pressure Cartridge Filter Housings

Grace UPVC High Pressure Cartridge Filter Housings have excellent anti-corrosion ability because parts that have contact with process fluids are made of UPVC. Compared with products made of stainless steel in the same dimensions, the UPVC cartridge filter housings prevail of lightness, low cost and rust free. Secure quick swing bolt closure makes element change out convenient and exhibits better sealing performance. Mounting flange provides stable installation and turns UPVC filter housings as ideal options for various processes without complicated preparation.

- Ⓞ **Free of rust contamination in process fluid because of excellent anti-corrosion ability.**
- Ⓞ **Compared with products made by stainless steel, the UPVC filter housings prevail of lightness and low cost.**
- Ⓞ **Quick swing bolt closure makes element change out convenient and exhibits better sealing performance.**
- Ⓞ **Bottom mounting flange provides secure installation, enhanced safety and improved consistency during processes.**

Applications

Pre RO, Desalination, Waste Water Treatment, Household Water Filtration

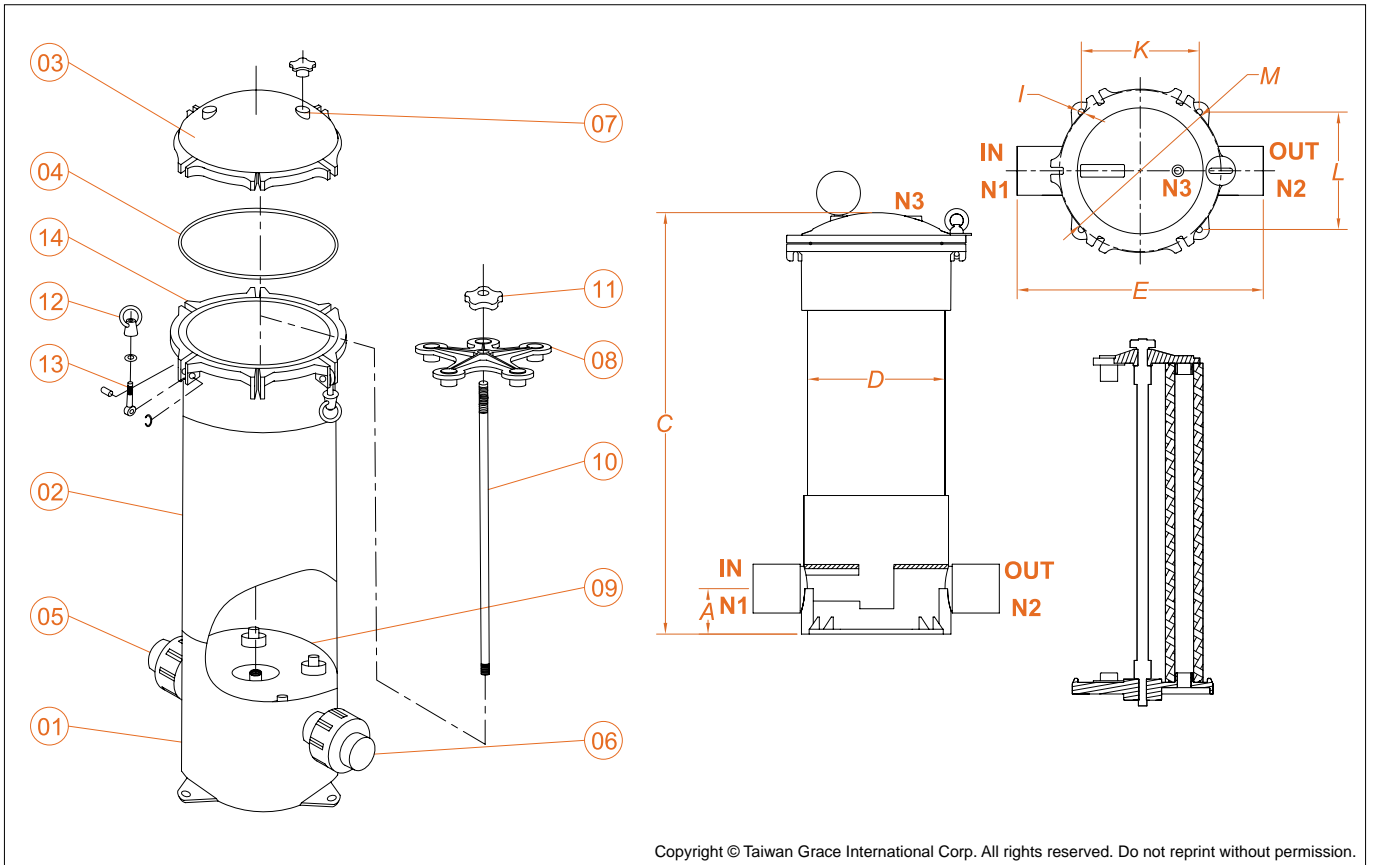
Operation Data

Maximum Operating Temperature : 60°C (140°F)
Maximum Operating Pressure : 4 bar(58 psi)

Ordering Information

Type	Length of Cartridge	Material of Construction	Number of Cartridges	Inlet/Outlet Size (inch/mm)		O-ring Option	
				Pipe Standard	Gauge Size		
UFCG High Pressure Cartridge Filter Housing	10 - 10"	U - UPVC	3 - 3pcs	A - ANSI	15 - 1.5"(48mm)	E -EPDM V -Viton S -Silicone	
	20 - 20"				20 - 2"(60mm)		
	30 - 30"			5 - 5pcs	D - DIN		40 - 50mm
	40 - 40"			50 - 63mm			
UFCG High Pressure Cartridge Filter Housing	30 30"	U UPVC	5 5 pcs	A ANSI	20 2"	S Silicone O-ring	

UPVC High Pressure Cartridge Filter Housings



Copyright © Taiwan Grace International Corp. All rights reserved. Do not reprint without permission.

Components

No.	Description	Qty
01	Pedestal	1
02	Body	1
03	Cap	1
04	O-ring	1
05	Port(Inlet)	1
06	Port(Outlet)	1
07	Vent	1
08	Cartridge Squeeze Plate	3, 5
09	Cartridge Support Plate	1
10	Screw Stay	1
11	Nut	1
12	Eye Nut	6
13	Eye Bolt	6
14	Eye Bolt Socket	6

Dimensions

Model	A	C	ØD	E		ØJ	K	L	ØM	N1 N2	N3	Flow Rate	G. Weight
				DIN/ANSI 1.5"	DIN/ANSI 2"								
UFCG10U3/5	75	465	225	365	473	10	188	186	290	DIN/ANSI	1/4"	0~ 25 GPM / 0 ~ 5 m³/hr	8.0kg
UFCG20U3/5	75	715	225	365	473	10	188	186	290	1.5"	1/4"	0~ 55 GPM / 0 ~ 11 m³/hr	9.5kg
UFCG30U3/5	75	965	225	365	473	10	188	186	290	DIN/ANSI	1/4"	0~ 85 GPM / 0 ~ 17 m³/hr	13.0kg
UFCG40U3/5	75	1215	225	365	473	10	188	186	290	2"	1/4"	0~110 GPM / 0 ~ 22 m³/hr	15.3kg

UNIT : mm

Customized housings are available on requests.

Actual flow rates will be determined on element selection and fluid viscosity.



UPVC High Pressure Multi-cartridges Filter Housings

Grace UPVC High Pressure Multi-cartridges Filter Housings feature excellent anti-corrosion by wide chemical compatibility. Compared with products made of stainless steel in the same dimensions, the UPVC cartridge filter housings advantage of lightness, superior corrosion resistance, low cost and rust free. Secure quick swing bolt closure makes element change out convenient and exhibits a better sealing performance, making the UPVC high pressure filter housings ideal for critical processes requiring high flow capacity.

- ⊗ **Free of rust contamination in process fluid because of excellent anti-corrosion ability.**
- ⊗ **Compared with products made of stainless steel, the UPVC filter housings advantage of lightness and low cost.**
- ⊗ **Quick swing bolt closure makes element change out convenient and provides a better sealing performance.**
- ⊗ **The high pressure type housings accept 9 rounds of filter cartridges, producing higher flow capacity for critical chemical processes.**

Applications

Pre RO, Desalination, Waste Water Treatment, Household Water Filtration

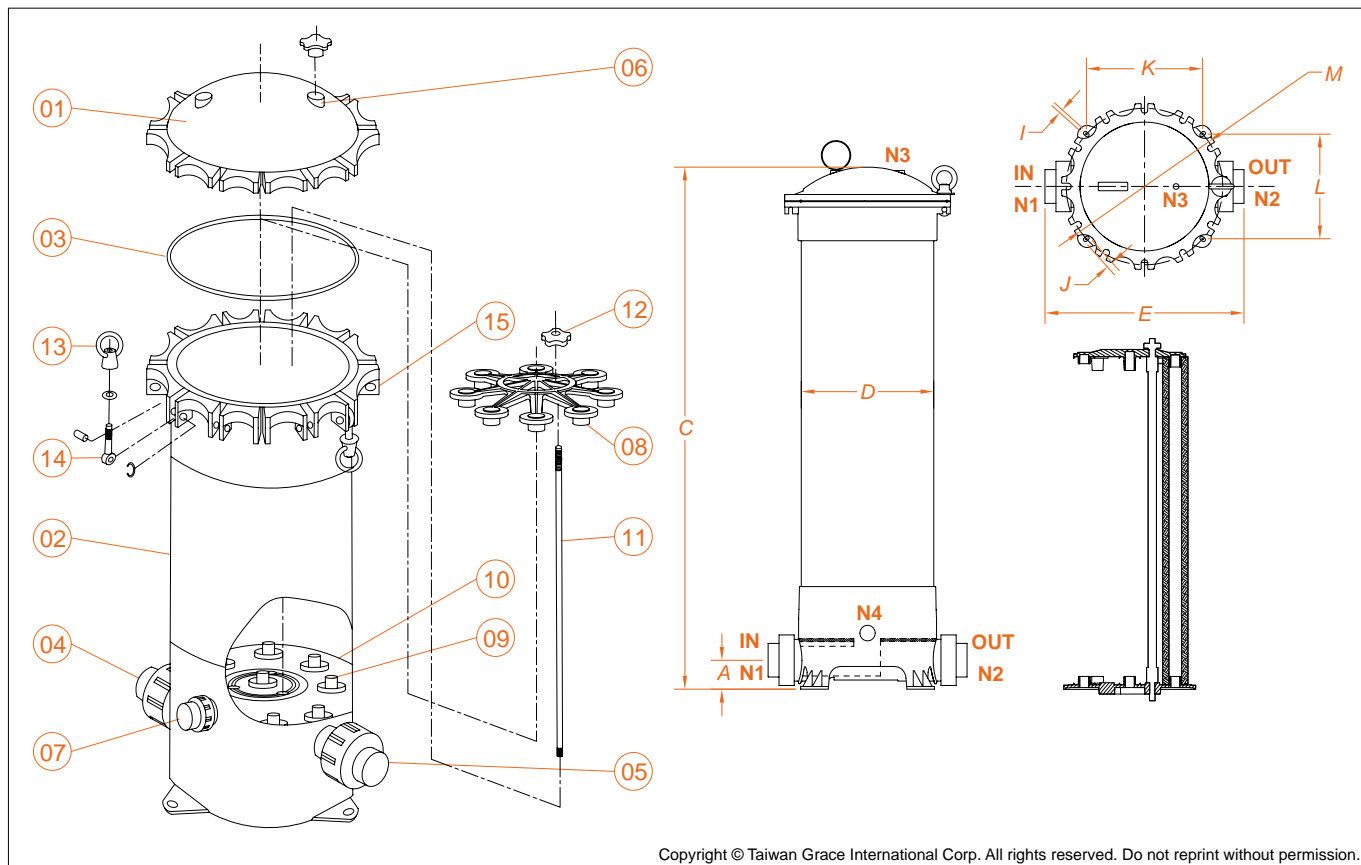
Operation Data

Maximum Operating Temperature : 60°C (140°F)
Maximum Operating Pressure : 4 bar(58 psi)

Ordering Information

Type	Length of Cartridge	Material of Construction	Number of Cartridges	Inlet/Outlet Size (inch/mm)		O-ring Option
				Pipe Standard	Gauge Size	
UFCG High Pressure Cartridge Filter Housing	10 - 10"	U - UPVC	8-8pcs 9-9pcs	A - ANSI	30-3"(89mm)	E -EPDM V -Viton S -Silicone
	20 - 20"					
	30 - 30"			D - DIN	80-90mm	
	40 - 40"					
UFCG High Pressure Cartridge Filter Housinge	30 30"	U UPVC	8 8 pcs	A ANSI	30 3"	S Silicone O-ring

UPVC High Pressure Multi-cartridges Filter Housings



Copyright © Taiwan Grace International Corp. All rights reserved. Do not reprint without permission.

Components

No.	Description	Q'ty
01	Top Cap	1
02	Shell	1
03	O-ring	1
04	Port(Inlet)	1
05	Port(Outlet)	1
06	Vent	1
07	Drain	1
08	Cartridge Squeeze Plate	1
09	Cartridge Bowl	9
10	Cartridge Support Plate	1
11	Screw Stay	3
12	Nut	3
13	Eye Nut	12
14	Eye Bolt	12
15	Eye Bolt Socket	12

Dimensions

Model	A	C	ØD	E	I	J	K	L	ØM	N1	N2	N3	N4	Flow Rate	G. Weight
UFCG10U8/9	69	495	315	510	9	15	276	249	395			1/4"		0~ 45 GPM / 0 ~ 10 m ³ /hr	8.0kg
UFCG20U8/9	69	745	315	510	9	15	276	249	395	DIN 3"		1/4"	DIN 1/2"	0~ 90 GPM / 0 ~ 20 m ³ /hr	9.5kg
UFCG30U8/9	69	995	315	510	9	15	276	249	395	ANSI 3"		1/4"	ANSI 1/2"	0~135 GPM / 0 ~ 30 m ³ /hr	13.0kg
UFCG40U8/9	69	1245	315	510	9	15	276	249	395			1/4"		0~180 GPM / 0 ~ 40 m ³ /hr	15.3kg

UNIT : mm

Customized housings are available on requests.

Actual flow rates will be determined on element selection and fluid viscosity.

UPVC Bag Filter Housings



Grace UPVC Bag Filter Housings feature excellent anti-corrosion by wide chemical compatibility. Compared with products made of stainless steel in the same dimensions, the UPVC filter housings advantage of lightness, superior corrosion resistance, low cost and rust free. Innovative design of spin-off cap closure makes element change out easy and convenient, exempting complicated preparation. All units are shipped with bag hold-down assembly to avoid bypass and thereof enhance filtration quality.

- ⊗ **Free of rust contamination in process fluid because of excellent anti-corrosion ability.**
- ⊗ **Compared with products made of stainless steel, the UPVC filter housings prevail of lightness and low cost.**
- ⊗ **Spin-off cap closure requires just a few turns to open and close, making element change out easy and quick.**
- ⊗ **All units are shipped with bag hold-down assembly to avoid bypass possibilities.**

Applications

Pre RO, Desalination, Waste Water Treatment, Household Water Filtration

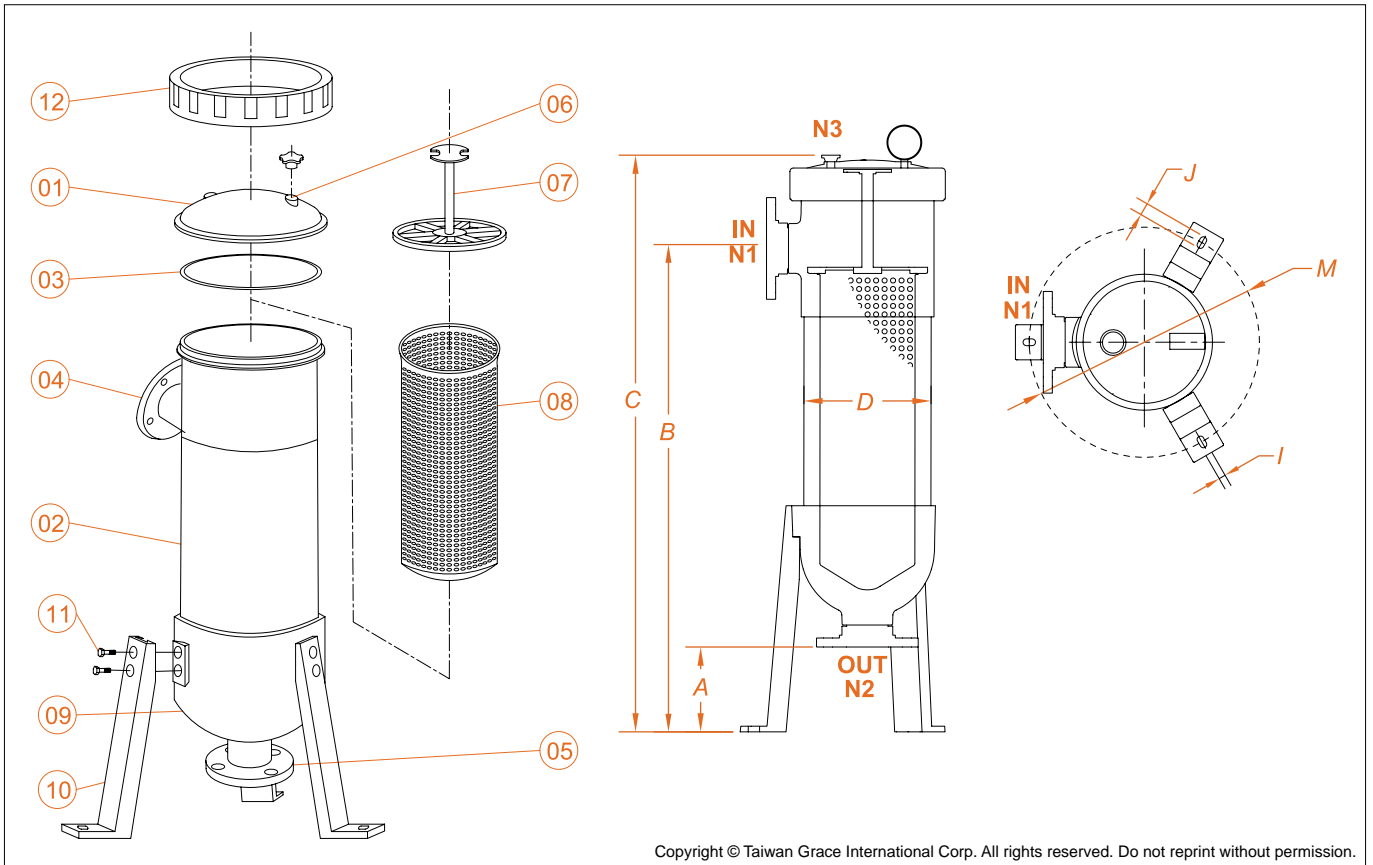
Operation Data

Maximum Operating Temperature : 60°C (140°F)
Maximum Operating Pressure : 4 bar(58 psi)

Ordering Information

Type	Bag Size	Material of Construction	Number of Bag	Inlet/Outlet Size (inch/mm)	O-ring Option
UFB Bag Filter Housing	01- Size 1 02- Size 2	U - UPVC	1 - 1 pce	A20 - ANSI 2" Flange(60mm) D50 - DIN 50 Flange(63mm)	E -EPDM V -Viton S -Silicone
UFB Bag Filter Housing	02 Size 2	U UPVC	1 1 pce	A20 ANSI 2" Flange	S Silicone O-ring

UPVC Bag Filter Housings



Components

No.	Description	Q'ty
01	Top Cap	1
02	Shell	1
03	O-ring	1
04	Port(Inlet)	1
05	Port(Outlet)	1
06	Vent	1
07	Bag Hold-down Assembly	1
08	Support Basket	1
09	Pedestal	1
10	Support Leg	3
11	Screw	6
12	Retainer Ring	1

Dimensions

Model	A	B	C	ØD	I	J	ØM	N1 N2	N3	Flow Rate	G. Weight
UFB01U1	150	630	785	225	12	22	407	DIN 2" / ANSI 2"	1/4"	0~ 90 GPM / 0 ~ 20 m ³ /hr	11.0kg
UFB02U1	150	1015	1180	225	12	22	407	DIN 2" / ANSI 2"	1/4"	0~200 GPM / 0 ~ 45 m ³ /hr	16.5kg

UNIT : mm

Customized housings are available on requests.

Actual flow rates will be determined on element selection and fluid viscosity.



UPVC High Pressure Bag Filter Housings

Grace UPVC Bag Filter Housings feature excellent anti-corrosion by wide chemical compatibility. Compared with products made of stainless steel in the same dimensions, the UPVC filter housings advantage of lightness, low cost and rust free. All units are shipped with bag hold-down assembly to avoid bypass possibilities. Secure quick swing bolt closure makes element change out convenient and exhibits a better sealing performance, enabling the UPVC high pressure bag filter housings to withstand higher operating pressure in critical processes.

- Ⓞ **Free of rust contamination in process fluid because of excellent anti-corrosion ability.**
- Ⓞ **Compared with products made by stainless steel, the UPVC filter housings advantage of lightness and low cost.**
- Ⓞ **Quick swing bolt closure makes element change out convenient and provides a better sealing performance.**
- Ⓞ **All units are shipped with bag hold-down assembly to avoid bypass possibilities.**

Applications

Pre RO, Desalination, Waste Water Treatment, Household Water Filtration

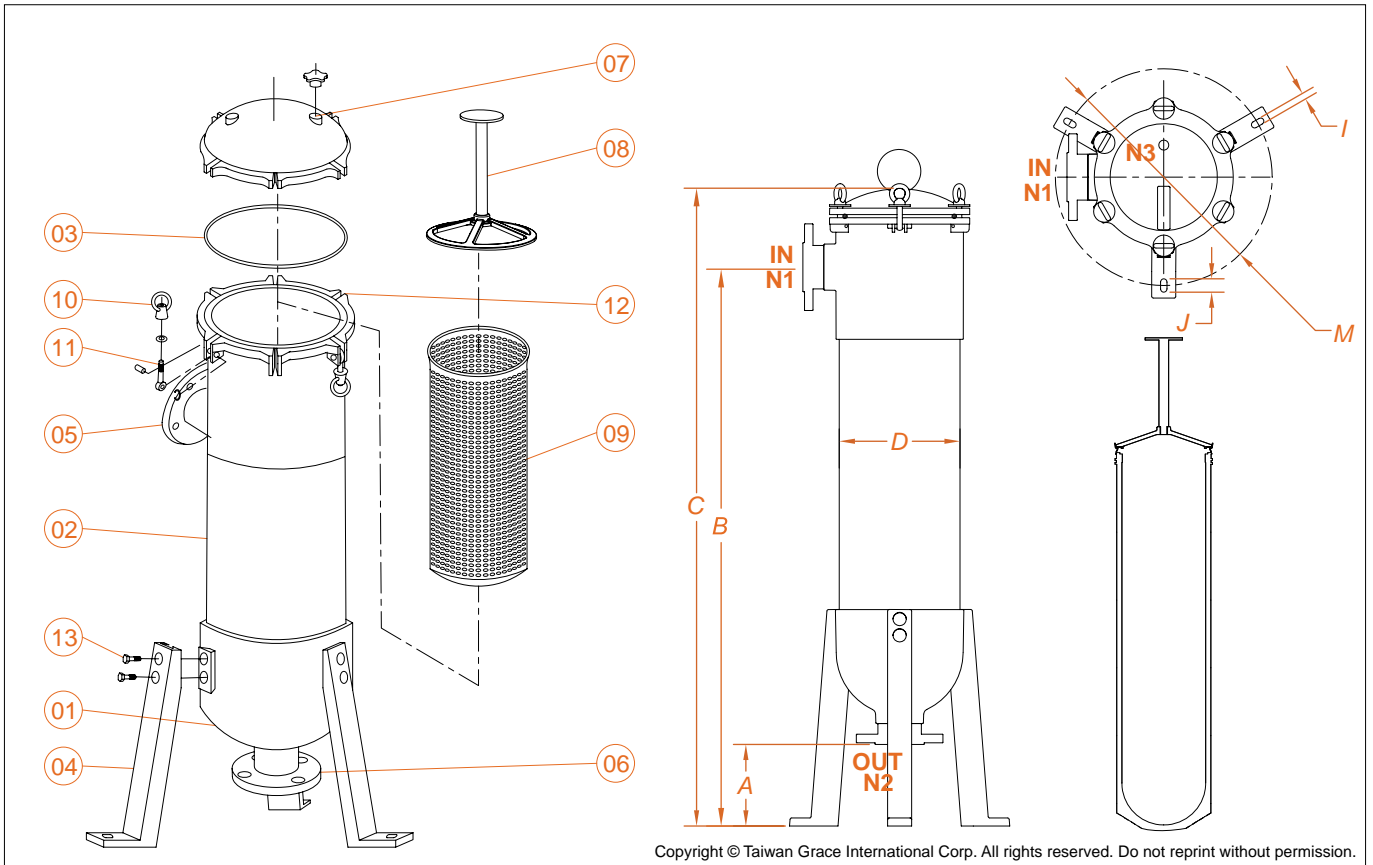
Operation Data

Maximum Operating Temperature : 60°C (140°F)
Maximum Operating Pressure : 4 bar(58 psi)

Ordering Information

Type	Bag Size	Material of Construction	Number of Bag	Inlet/Outlet Size (inch/mm)	O-ring Option
UFBG High Pressure Bag Filter Housing	01- Size 1	U - UPVC	1 - 1 pce	A20 - ANSI 2" Flange(63mm) D50 - DIN 50 Flange(50mm)	E -EPDM V -Viton S -Silicone
	02- Size 2				
UFBG High Pressure Bag Filter Housing	02 Size 2	U UPVC	1 1 pce	A20 ANSI 2" Flange	S Silicone O-ring

UPVC High Pressure Bag Filter Housings



Components

No.	Description	Q'ty
01	Pedestal	1
02	Body	1
03	O-ring	1
04	Leg Support	3
05	Inlet Port	1
06	Outlet Port	1
07	Vent	1
08	Support Basket	1
09	Basket	1
10	Eye Nut	6
11	Eye Bolt	6
12	Eye Bolt Socket	6
13	Screw	6

Dimensions

Model	A	B	C	ØD	I	J	ØM	N1 N2	N3	Flow Rate	G. Weight
UFBG01U	150	665	820	225	12	22	407	DIN 2" / ANSI 2"	1/4"	0~ 90 GPM / 0 ~ 20 m ³ /hr	11.0kg
UFBG02U	150	1045	1200	225	12	22	407	DIN 2" / ANSI 2"	1/4"	0~200 GPM / 0 ~ 45 m ³ /hr	16.5kg

UNIT : mm

Customized housings are available on requests.

Actual flow rates will be determined on element selection and fluid viscosity.

Ultraviolet Sterilizing Systems



Ultraviolet disinfection is one of the most popular technologies applied in water treatment because of its convenience and non side-effect advantage. UV efficiently kills algae, fungi, germs and virus in process water without generating harmful by-products. Grace UV systems are designed in compact sizes and accommodate effective UVC lamps, ensuring high quality of disinfection and purification. Sterilizers are available for processes from small volume to big scale, satisfying various applications and demanding requirements.

- Ⓞ **Sterilizers are equipped with effective UVC lamps which have superior disinfection performance.**
- Ⓞ **Enable to inactivate micro-organisms within seconds without generating harmful side-effects.**
- Ⓞ **Treatment chambers and cabinets are completely constructed by stainless steel, featuring great durability and sustainability.**
- Ⓞ **Electronic ballasts and compact control cabinets make more efficient and convenient system surveillance.**

Applications

Household Water Filtration, Aquarium, RO/DI, Food & Beverage, Well Water Treatment, Pharmaceutical, Laboratory Facilities, Electronics

Specifications

Treatment Chamber	SUS304, SUS316
O-ring	Silicone
Control Cabinet	SUS304
Support Mounting	SUS304
Electrical Supply	100V~240VAC 50/ 60Hz, Single Phase

Operation Data

Maximum Operating Temperature : 10°C ~ 40°C (50°F ~ 104°F)
Maximum Operating Pressure : 8.62 bar (125 psi)

Ordering Information

MODEL	UVUS6	UVUS14	UVUS24	UVUS32	UVUS39	UVUS39	UVUS3902
Flow Rate	0.5GPM 2.0LPM	1.5GPM 6.0LPM	4.0GPM 15.0LPM	6.0GPM 22.0LPM	10.0GPM 38.0LPM	10.0GPM 38.0LPM	20.0GPM 75.0LPM
Operating Watts	6W	18W	24W	32W	39W	39W	78W
Number of Lamp	6W × 1	14W × 1	24W × 1	32W × 1	39W × 1	39W × 1	39W × 2
Inlet/Outlet Size	1/4"NPT	1/4"NPTF	1/2"NPTF	1/2"NPTF	3/4"NPTM	1"NPTM	1"NPTM
Control Cabinet	N/A	N/A	N/A	N/A	N/A	SUS304	SUS304
Dimensions L × W(mm)	Ø50.5 × 320	Ø64 × 340	Ø64 × 512	Ø64 × 680	Ø64 × 900	Ø89 × 900 × 186	Ø100 × 900 × 197
MODEL	UVUS3904	UVUS5506	UVUS5507	UVUS5508	UVUS5510	UVUS5512	UVUS5515
Flow Rate	48.0GPM 182.0LPM	67.2GPM 255.0LPM	67.2GPM 255.0LPM	76.8GPM 291.0LPM	96.0GPM 363.0LPM	115.0GPM 435.0LPM	144.0GPM 545.0LPM
Operating Watts	156W	330W	385W	440W	550W	660W	825W
Number of Lamp	39W × 4	55W × 6	55W × 7	55W × 8	55W × 10	55W × 12	55W × 15
Inlet/Outlet Size	1.5"NPTM	2" or 2.5" NPTM/Flange		2.5", 3" or 4" NPTM/Flange			4" or 5" NPTM/ Flange
Control Cabinet	SUS304						
Dimensions L × W(mm)	Ø177 × 900 × 280	Ø220 × 970 × 422	Ø220 × 970 × 422	Ø260 × 970 × 540	Ø260 × 970 × 540	Ø300 × 970 × 720	Ø390 × 970 × 810

FRP Softener Vessels



Grace FRP Pressure Vessels are ideal solutions for general commercial and industrial water treatment with essentially outstanding features of anti-corrosion and cost-effectiveness. Constructed by seamless Polyethylene and strengthened Fiber Reinforced Plastic (FRP) liners, all vessels are roved by FRP filament and sealed with high quality epoxy resin. Grace supplies a comprehensive series of NSF 44 certified FRP pressure vessels which are able to satisfy different needs and demanding requirements.



- ⊗ **Vessels are constructed by food grade seamless Polyethylene and strengthened FRP liners, providing wide chemical compatibility.**
- ⊗ **Quality assurance is proved by NSF 44 certificate.**
- ⊗ **Vessels are widely compatible with commercial and industrial control valves.**
- ⊗ **Manways, side flanges, sight glasses and optional water distribution systems are available for customized requests.**

Applications

Pre RO, Ion Exchange, Water Softener, Waste Water Filtration, Household Water Filtration, Food & Beverage, Water Storage

Specifications

Inner Shell	Polyethylene, Fiber Reinforced Plastic (FRP)
Outer Shell	Wound FRP Filament with Epoxy Resin Seal
Opening	2.5" - 8" NPSM threads (Polypropylene), 4"-8" UN threads (ABS), 4.5" - 8" Buttress (ABS), 6" Flange (FRP), other customized Manways and Side Flanges
Optional Color	Natural White, Blue, Gray, Black

Operation Data

Operating Temperature : 2°C ~ 49°C (35°F ~ 120°F)
 Maximum Operating Pressure : 10 bar(150 psi)
 Maximum Vacuum Pressure : 5" Hg(127mm Hg)

FRP Softener Vessels

Dimensions

Size (Inches)	Opening		Tank Diameter (mm)	Height With Base (mm)	Capacity		Base
	Top	Bottom			Gallon	Liter	
FRTK0724	NPSM 2.5"	N/A	181	645	4.0	15.0	Standard
FRTK0735	NPSM 2.5"	N/A	181	925	5.2	19.7	
FRTK0817	NPSM 2.5"	N/A	206	460	3.1	11.7	
FRTK0820	NPSM 2.5"	N/A	206	295	3.5	13.4	
FRTK0835	NPSM 2.5"	N/A	206	920	6.6	25.0	
FRTK0844	NPSM 2.5"	N/A	206	1140	8.7	32.9	
FRTK0935	NPSM 2.5"	N/A	232	910	8.3	31.4	
FRTK0940	NPSM 2.5"	N/A	232	1025	9.5	36.0	
FRTK0948	NPSM 2.5"	N/A	232	1225	12.7	48.0	
FRTK1017	NPSM 2.5"	N/A	257	460	4.8	18.2	
FRTK1035	NPSM 2.5"	N/A	257	905	10.2	38.6	
FRTK1044	NPSM 2.5"	N/A	257	1130	13.1	49.6	
FRTK1054	NPSM 2.5"	N/A	257	1390	16.4	62.0	
FRTK1248	NPSM 2.5"	N/A	308	1225	20.6	78.0	
FRTK1252	NPSM 2.5"	N/A	308	1340	22.2	84.0	
FRTK1252	Buttress 4.5"	N/A	308	1340	22.2	84.0	
FRTK1265	NPSM 2.5"	N/A	308	1675	29.6	112.0	
FRTK1354	NPSM 2.5"	N/A	334	1390	27.5	104.0	
FRTK1465	NPSM 2.5"	N/A	360	1640	40.7	154.0	
FRTK1465	UN 4"	N/A	360	1640	40.7	154.0	
FRTK1665	NPSM 2.5"	N/A	410	1640	48.9	185.0	
FRTK1665	UN 4"	N/A	410	1640	48.9	185.0	
FRTK1672	NPSM 2.5"	N/A	405	2042	53.6	203.0	
FRTK1672	UN 4"	N/A	405	2042	53.6	203.0	

FRP Softener Vessels

Dimensions

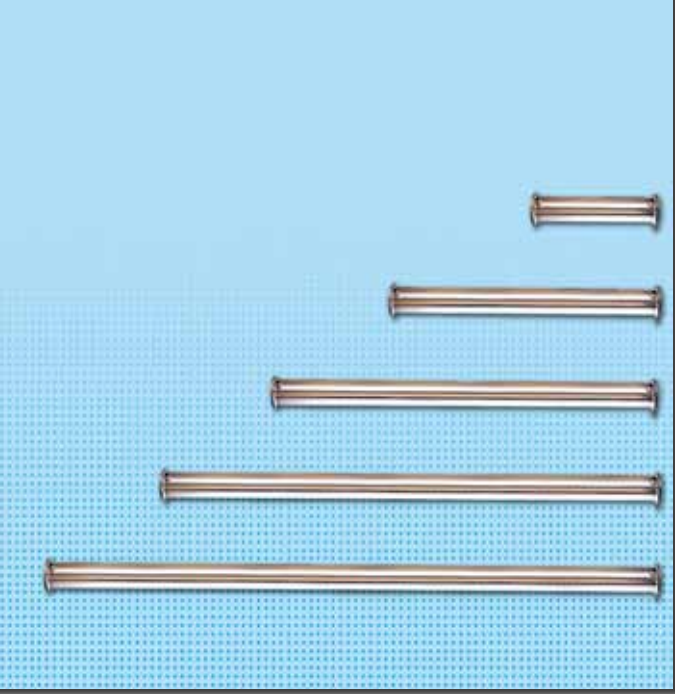
Size (Inches)	Opening		Tank Diameter (mm)	Height With Base (mm)	Capacity		Base
	Top	Bottom			Gallon	Liter	
FRTK1865	UN 4"	N/A	470	1902	66.8	253.0	Tripod
FRTK2072	UN 4"	N/A	520	2042	89.0	337.0	
FRTK2072	UN 4"	Flange 6"	520	2042	89.0	337.0	
FRTK2162	UN 4"	N/A	550	1842	88.0	333.0	
FRTK2162	UN 4"	Flange 6"	550	1842	88.0	333.0	
FRTK2472	UN 4"	N/A	620	2042	126.8	480.0	
FRTK2472	UN 4"	Flange 6"	620	2042	126.8	480.0	
FRTK3072	UN 4"	N/A	775	2045	195.5	740.0	
FRTK3072	UN 4"	Flange 6"	775	2045	195.5	740.0	
FRTK3672	UN 4"	N/A	925	2145	283.0	1071.0	
FRTK3672	UN 4"	Flange 6"	925	2145	283.0	1071.0	
FRTK4072	Flange 6"	N/A	1025	2148	338.7	1282.0	
FRTK4072	Flange 6"	Flange 6"	1025	2148	338.7	1282.0	
FRTK4872	Flange 6"	N/A	1225	2105	477.7	1808.0	
FRTK4872	Flange 6"	Flange 6"	1225	2105	477.7	1808.0	
FRTK4896	Flange 6"	N/A	1225	2695	657.0	2487.0	
FRTK4896	Flange 6"	Flange 6"	1225	2695	657.0	2487.0	
FRTK5696	Flange 6"	N/A	1430	2730	844.1	3195.0	
FRTK5696	Flange 6"	Flange 6"	1430	2730	844.1	3195.0	
FRTK6096	Flange 6"	N/A	1530	2652	958.0	3626.0	
FRTK6096	Flange 6"	Flange 6"	1530	2652	958.0	3626.0	

Other sizes can be customized on requests.

Ordering Information

Type	Tank Size W X H (inch)	Color	Material of Liner	Opening				Option
				Position	Size	Position	Size	
FRTK FRP Softener Vessel	0724	W - Natural White	E Polyethylene R - FRP	T -Top B -Bottom	25 -2.5" NPSM 40 -4" UM 60 -6" Flange	T -Top B -Bottom	25 -2.5" NPSM 40 -4" UM 60 -6" Flange	N -No Base
	0735	B - Blue						
	6096	G - Gray K - Black						
FRTK FRP Softener Vessel	0948 9" x 48"	B Blue	R FRP	T Top	25 2.5" NPSM			

Stainless Steel RO Membrane Housings



Grace provides a comprehensive range of Stainless Steel RO Membrane Housings for RO membranes in 2.5", 4" and 8". Housings are designed in either end-entry or side-entry types, collocating with various sizes of permeate and concentrate ports. Diversified options provide customers much convenience to meet different applications and save expensive investment on complicated manifolds. All stainless steel RO membrane housings are hydraulic tested to ensure consistent quality at point of use.

- Ⓞ A comprehensive range of RO membrane housings are available for membrane in diameter 2.5", 4" and 8".
- Ⓞ Housings are designed in end-entry or side-entry types, collocating with various sizes of permeate and concentrate ports.
- Ⓞ Optional multi-ports designs make easier system connections and save expensive investment on manifolds.
- Ⓞ All membrane housings are designed, manufactured and tested under strict guidelines, ensuring consistent quality at point of use.
- Ⓞ Units are shipped with Polyurethane Saddles and SUS304 Straps.

Applications

RO Systems, UF Systems, Food & Beverage, Pharmaceutical, Electronics

Ordering Information

Type	Membrane Diameter (inch)	Element	Material of Housing	End Cap	End Cap Coupling	Entry Type	Port Size				Option
							Concentrate		Permeate		
RH -SUS RO Membrane Housing	25 - Ø2.5" 40 - Ø4" 80 - Ø8"	14 - L : 14"	4 -SUS304 6 -SUS316 7 -SUS316L	A -ABS S -SUS	C -Clamp B -Bolt & Screw T -T-Bar Clamp	E -End Entry S -Side Entry	N -NPT V -Victaulic C -Sanitary Clamp	02 -1/4" 04 -1/2" 06 -3/4" 10 -1" 15 -1.5"	N -NPT V -Victaulic C -Sanitary Clamp	02 -1/4" 04 -1/2" 06 -3/4" 10 -1" 15 -1.5"	(blank) -Electrolysis P -All Polish OP -External Polish
		21 - L : 21"									
		40 - L : 40"									
		80 - 40" x 2 pcs.									
		120 - 40" x 3 pcs.									
160 - 40" x 4 pcs.											
200 - 40" x 5 pcs.											
240 - 40" x 6 pcs.											
Other customized Sizes											
RH	40	40	4	A	C	E	N	06	N	04	
SS RO Membrane Housing, 4040 in SS304, ABS End Cap, Clamp, End Entry, Concentrate 3/4" NPT, Permeate 1/2" NPT											

Stainless Steel RO Membrane Housings

Operation Data & Specifications

ACE / ACS Series					
Housing Material : SUS304, SUS316, SUS316L End Cap Material : ABS Coupling : SUS304 Clamp Maximum Operating Pressure : 17 bar (250 psi) Maximum Operating Temperature : 60°C (140°F)					
ACS			ACE		
					
Membrane Diameter	Model	Number of Membranes	Entry Type	Port Size	
				Concentrate	Permeate
2.5"	RH2514	14"/1 element	End Entry	3/8" NPTF	1/4" NPTF
	RH2521	21"/1 element	End / Side Entry	3/8" NPTF	1/4" NPTF
	RH2540	40"/1 element		3/8" NPTF	3/8" NPTF
4"	RH4014	14"/1 element	End Entry	1/2" NPTF	1/2" NPTF
	RH4021	21"/1 element	End / Side Entry	3/4" NPTF or 1/2" NPTF	1/2" NPTF
	RH4040	40"/1 element			
	RH4080	40"/2 elements			
	RH40120	40"/3 elements			
	RH40160	40"/4 elements			

Operation Data & Specifications

SCE / SCS Series					
Housing Material : SUS304, SUS316, SUS316L End Cap Material : SUS304, SUS316, SUS316L (consistent with housing materials) Coupling : SUS304 Clamp Maximum Operating Pressure : 20 bar (300 psi) Maximum Operating Temperature : 60°C (140°F)					
SCE			SCS		
					
Membrane Diameter	Model	Number of Membranes	Entry Type	Port Size	
				Concentrate	Permeate
8"	RH8040	40"/1 element	End/Side Entry	1 1/2" Victaulic	1" NPTF
	RH8080	40"/2 elements			
	RH80120	40"/3 elements			
	RH80160	40"/4 elements			
	RH80200	40"/5 elements			
	RH80240	40"/6 elements			

Stainless Steel RO Membrane Housings

Operation Data & Specifications

SBE / SBS Series					
Housing Material : SUS304, SUS316, SUS316L End Cap Material : SUS304, SUS316, SUS316L (consistent with housing materials) Coupling : SUS304 Bolt & Screw Maximum Operating Pressure : 41 bar (600 psi) Maximum Operating Temperature : 60°C (140°F)					
SBE		SBS			
					
Membrane Diameter	Model	Number of Membranes	Entry Type	Port Size	
				Concentrate	Permeate
2.5"	RH2521	14"/1 element	End Entry	3/8" NPTF	1/4" NPTF
	RH2540	21"/1 element		3/8" NPTF	3/8" NPTF
4"	RH4021	21"/1 element	End Entry	3/4" NPTF or 1/2" NPTF	1/2" NPTF
	RH4040	40"/1 element			
	RH4080	40"/2 element			
	RH40120	40"/3 elements			
	RH40160	40"/4 elements			
8"	RH8040	40"/1 element	Side Entry	1.5" Victaulic or Sanitary Clamp	1" Victaulic or Sanitary Clamp
	RH8080	40"/2 elements			
	RH80120	40"/3 elements			
	RH80160	40"/4 elements			
	RH80200	40"/5 elements			
	RH80240	40"/6 elements			

Operation Data & Specifications

STS Series					
Housing Material : SUS304, SUS316, SUS316L End Cap Material : SUS304, SUS316, SUS316L (consistent with housing materials) Coupling : SUS304 Clamp Maximum Operating Pressure : 20 bar (300 psi) Maximum Operating Temperature : 60°C (140°F)					
STS					
					
Membrane Diameter	Model	Number of Membranes	Entry Type	Port Size	
				Concentrate	Permeate
4"	RH4040	40"/1 element	Side Entry	1/2" Sanitary Clamp or 3/4" Sanitary Clamp	1/2" Sanitary Clamp
	RH4080	40"/2 elements			
	RH40120	40"/3 elements			
	RH40160	40"/4 elements			



Sales Partners Worldwide



Headquarter Office



China Office



Taiwan Factory



Taiwan Grace International Corp.

5F, No. 16-2, Sec. 2, Jhongyang S. Rd., Beitou District 11270, Taipei, Taiwan

TEL : +886-2-2898-1518

FAX : +886-2-2898-1517

E-mail : info@taiwangrace.com.tw

<http://www.gracefilter.com>

Copyright © Taiwan Grace International Corp. All rights reserved. Do not reprint without permission.